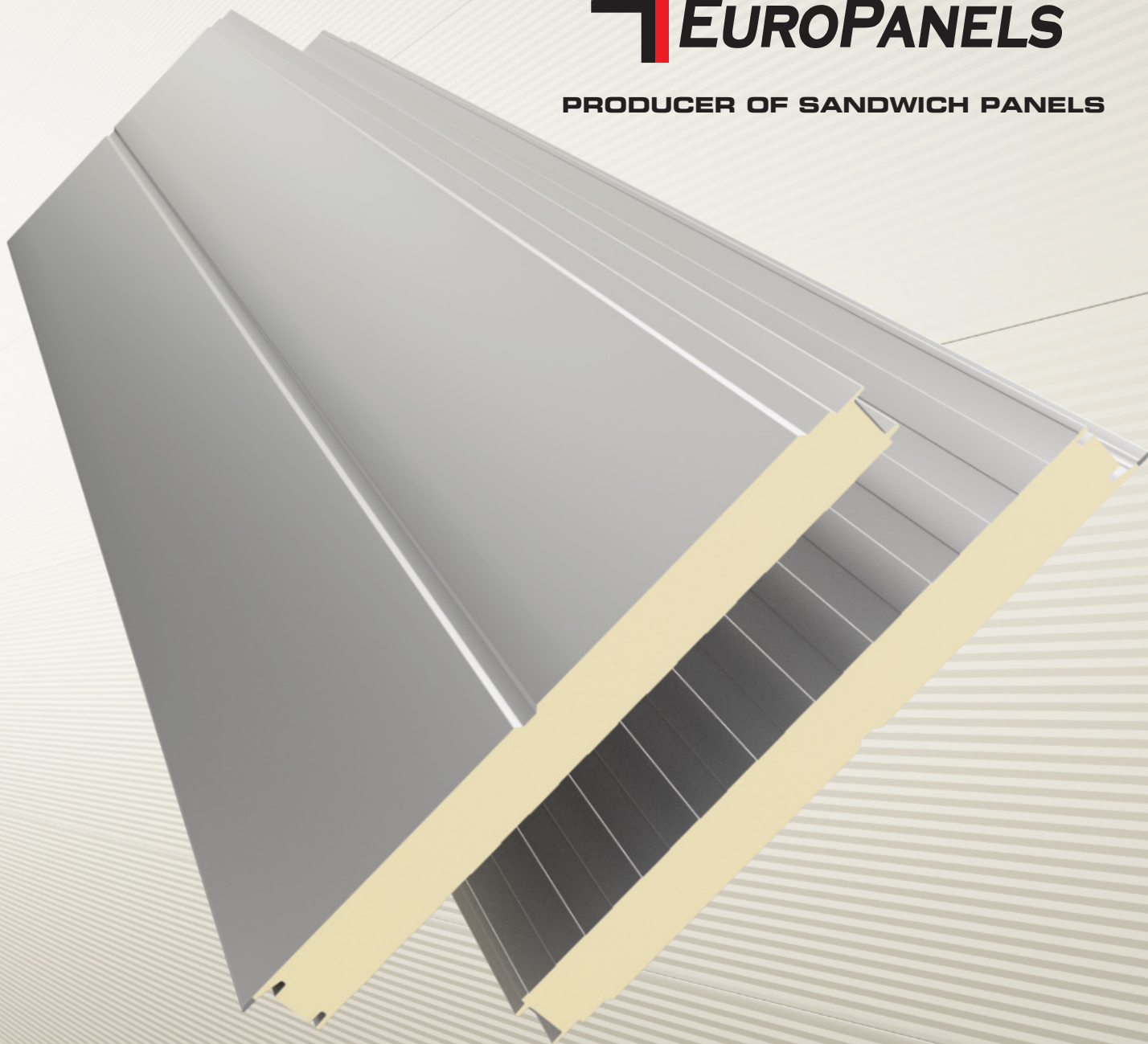




PRODUCER OF SANDWICH PANELS



EUROPEAN
SANDWICH PANELS

**A PRACTICAL GUIDE
OF PRODUCTS AND ACCESSORIES**

Foreword	3
About the technology	4
Basic recommendations	5
Training sessions	6
Knowledge base	7
Before you buy	8

PU WALL PANELS

• PolTherma DS	10
• PolTherma PS	14
• PolTherma TS	18
• PolTherma CS	22

PU ROOFING PANELS

• PolDeck TD	26
• PolDeck MD	30
• PolDeck BD	34

PU INSULATION PANELS

• PolTherma Soft	38
-------------------------------	----

EPS WALL PANELS

• ThermaStyle PRO	40
--------------------------------	----

EPS ROOFING PANELS

• ThermaDeck PRO	44
-------------------------------	----

Sheet metal processing	48
------------------------------	----

Colour palette	62
----------------------	----



Europanel Sp. z o.o. is a dynamic and modern company offering its customers lightweight wall and roof cladding systems with a full range of finishing and assembly accessories. Our offer includes sandwich panels with a polyurethane (PU) and polystyrene (EPS) core. We have been specializing in this field for years, and our products have won the recognition of customers on the markets of many European countries. They have also been appreciated by industry professionals.

The family of wall and roof sandwich panels with PU insulation core won the Gold Medal at the 17th AGROTECH International Agricultural Technology Fair in Kielce for the best product for agro-construction.

The unique system of our PolTherma DS wall sandwich panels on the European market was honoured with the prestigious Gold Medal at the 20th BUDMA International Construction Fair in Poznań for the best product of industrial construction.

Europanel sandwich panels are a modern building material, designed for use as external and internal walls, roofing and suspended ceilings. These are products of modern technology, the use of which offers many advantages: from quick and easy assembly (shortening the time of implementation and the total cost of investment) to savings during the operation of the building (very good thermal insulation properties).

This folder presents a cross-section of the Europanel range of sandwich panels and mounting accessories. It is very important to use system solutions in the field of accessories that guarantee the fit of elements and the maintenance of technological standards. For ease of reference, the folder contains installation instructions, thus becoming a practical guide for contractors. In this form we wanted to present how easy, fast, cheap and safe it is to build impressive objects from our panels.



Europanel produces sandwich panels meeting the requirements of the European standard PN-EN 14509: Self-supporting double skin metal faced insulating panels - Factory made products - Specifications

Insulation panels are manufactured in accordance with the European standard PN-EN 13165+A1:2015-03: Thermal insulation products for buildings. Factory made rigid polyurethane foam (PU) products - Specification.

The CE marking confirms compliance with European quality and safety standards. However, as technical products manufactured in accordance with the standards, they are characterized by certain tolerances contained in the standards:



Dimension	Tolerance (maximum allowable)
Dimension	D ≤ 100 mm ± 2 mm D > 100 mm ± 2 %
Deviation from flatness (as measured on length L)	For L = 200 mm - Deviation from flatness 0,6 mm For L = 400 mm - Deviation from flatness 1,0 mm For L > 700 mm - Deviation from flatness 1,5 mm
Height of metal profile (rib) (mm)	5 < h ≤ 50 mm ± 1 mm 50 < h ≤ 100mm ± 2,5 mm
Height of stiffeners and lightweight profile	d _s ≤ 1 mm ± 30% from d _s 1 mm < d _s ≤ 3 mm ± 0,3 mm 3 mm < d _s ≤ 5 mm ± 10% od d _s
Sandwich panel length	L ≤ 3 m ± 5 mm L > 3 m ± 10 mm
Sandwich panel cover width	w ± 2 mm
Deviation from rectangularity	0,006 x w (deviation from rectangularity)
Deviation from straightness (in length)	1 mm per meter, maximum 5 mm
Camber	2 mm per meter of length, maximum 20 mm 8,5 mm per metre for flat or lightly profiled widths - h ≤ 10 mm 10 mm per meter of profile width -h > 10 mm
Stroke of the profile (p)	For h ≤ 50 mm p: ± 2 mm For h > 50 mm p: ± 3 mm
Szerokość żeber (b ₁) i szerokość doliny (b ₂)	For b ₁ ± 1 mm For b ₂ ± 2 mm

*Calculation of the thickness of sandwich panels with profiled cladding

Sandwich panels with steel cladding are a durable material, but still prone to mechanical damage. Please pay special attention, for example, that during unloading or assembly, they do not break or scratch. We recommend the use of professional transport and assembly equipment.

Cut the plates only with suitable tools, such as a circular saw (and not a grinder!), directing the sheaf of sparks beyond the surface of the cut plate and the plates already mounted. This will avoid the deposition of rapidly corrosive metal chips on the surface of the cladding.

The panels should be stored on a level and stable base, free from moisture. The boards should rest on polystyrene spacers, and in the case of a longer storage period and always in the summer, the packages should be protected against the effects of sunlight by covering them with a UV-resistant tarpaulin.

Due to the strong heating of the facade cladding, caused by the influence of sunlight, we recommend using colors from the 1st group of colors (very bright colors) and limiting the length of individual sections of the panels (optimally up to 7 m). In the case of wall panels, we recommend single-span horizontal systems, mounted on poles with a spacing of e.g. every 6 m (in the axis).

The selection of the assortment of panels and the method of assembly should match the construction design and technical parameters of the panels. It is the designer, who has the final word concerning the spacing of the supports, the characteristics of the load-bearing profiles, the loads, the number of fasteners, the final material selection, etc.

European Sandwich Panels are available to everyone. We invite you to build together with us.

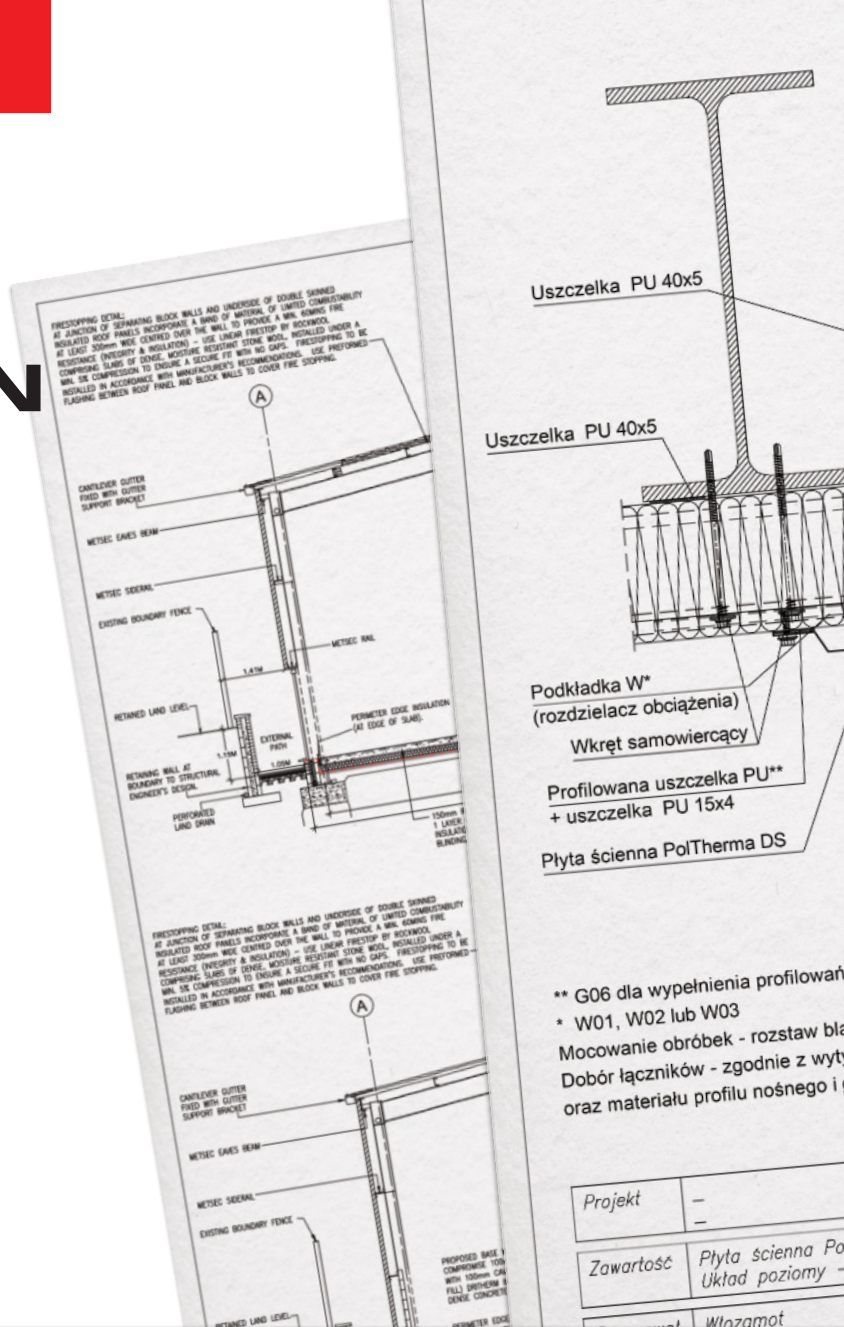
The Europanel Sp. z o.o. team

TRAINING WORKSHOPS CONSULTATION

Europanel is not only a product company, but also a team of experienced and passionate specialists, who create it. We believe that building long-term relationships is the key to success. That is why we offer our clients support at every stage of project implementation.

We are the organizer of product training and industry workshops that help implementation companies supplement their knowledge and skills in the field of assembly of modern building materials that we manufacture.

In every corner of Poland, we have regional representatives, who will help you not only to select the right product, accessories, and proven, local construction companies, but also make every effort to ensure that each implementation is successful.



EUROPANELS KNOWLEDGE BASE

We provide our customers and contractors with all the information that can help them make strategic decisions in the process of designing and implementing construction using our products. Digital versions can be found on the www.europanel.pl website, while printed brochures are available from our representatives.

The materials that may be useful to you include, among others:

Machining catalogues



Certificates
and attestations



General terms
and conditions of sale



Load tables



Technical specification
cards



Library of details



Assembly instructions



BIM library



BEFORE YOU ORDER WALL PANELS

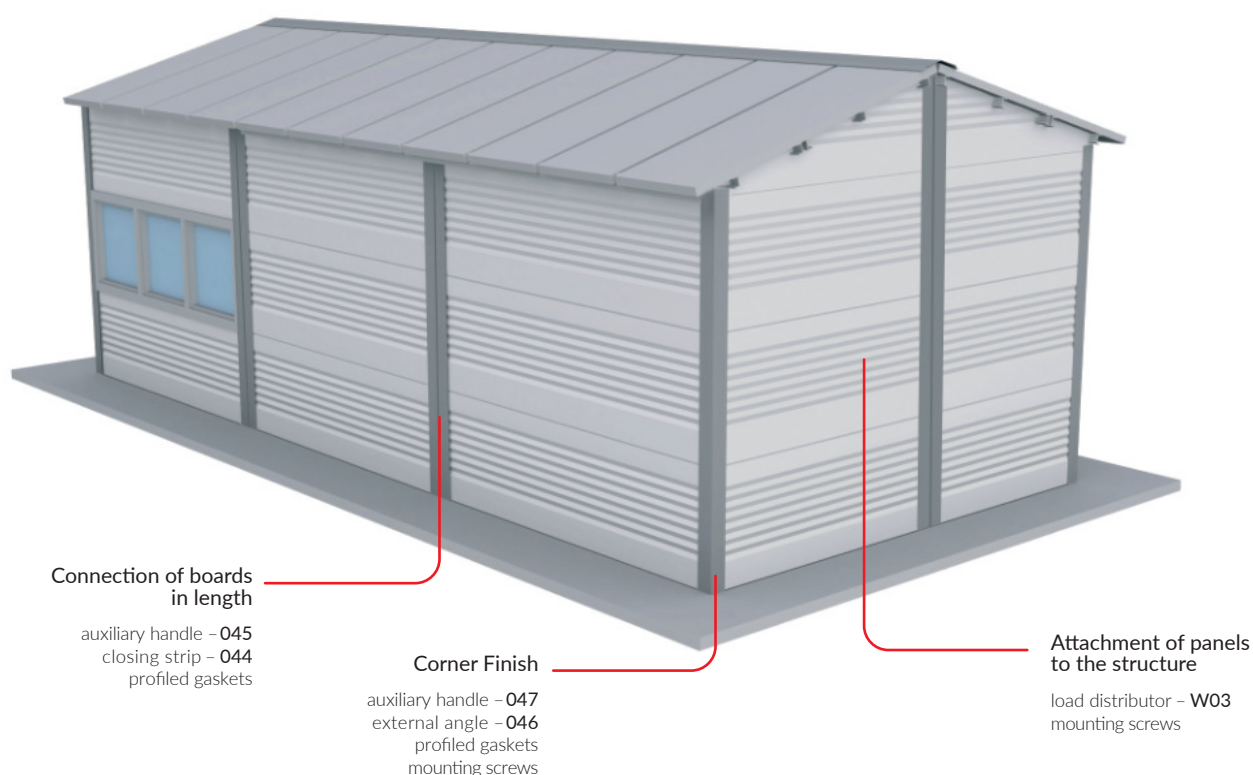
Wall sandwich panels from the EuroPanels offer are the perfect material for fast, cheap and lightweight hall enclosures. They create architecturally interesting and functional wall facades. In order to make an appropriate selection of boards for a particular application, the following parameters should be considered:

- thermal insulation requirements (heat transfer coefficient)
- the layout of panels on the building (horizontal or vertical) and spans
- the exact length of individual boards (obligation of the ordering party)
- selection of assembly method (on your own or with the help of an assembly company)
- aesthetics - architectural concept (selection of profiling, colour, selection of accessories).

Due to the construction of sandwich panels and the variety of operating conditions, it is recommended to use as short individual sections of the panels as possible (optimally up to 7 m) and - whenever possible - to fix the panels to the structure in a horizontal single-span system.

Advantages of a horizontal, single-span system:

- optimization of technical parameters - due to structural reasons, the panels in shorter sections, operating in one span compensate very well for operating (thermal) stresses
- cheaper load-bearing structures - pillars made of steel, wood or reinforced concrete
- possibility of using lightweight structures - poles installed on feet
- no additional costs - no wall spandrel beams
- simplified board assembly - only to load-bearing poles
- easier unloading and placing of boards to the structure
- better use of material - the possibility of using continuous windows without the need of panels cutting.

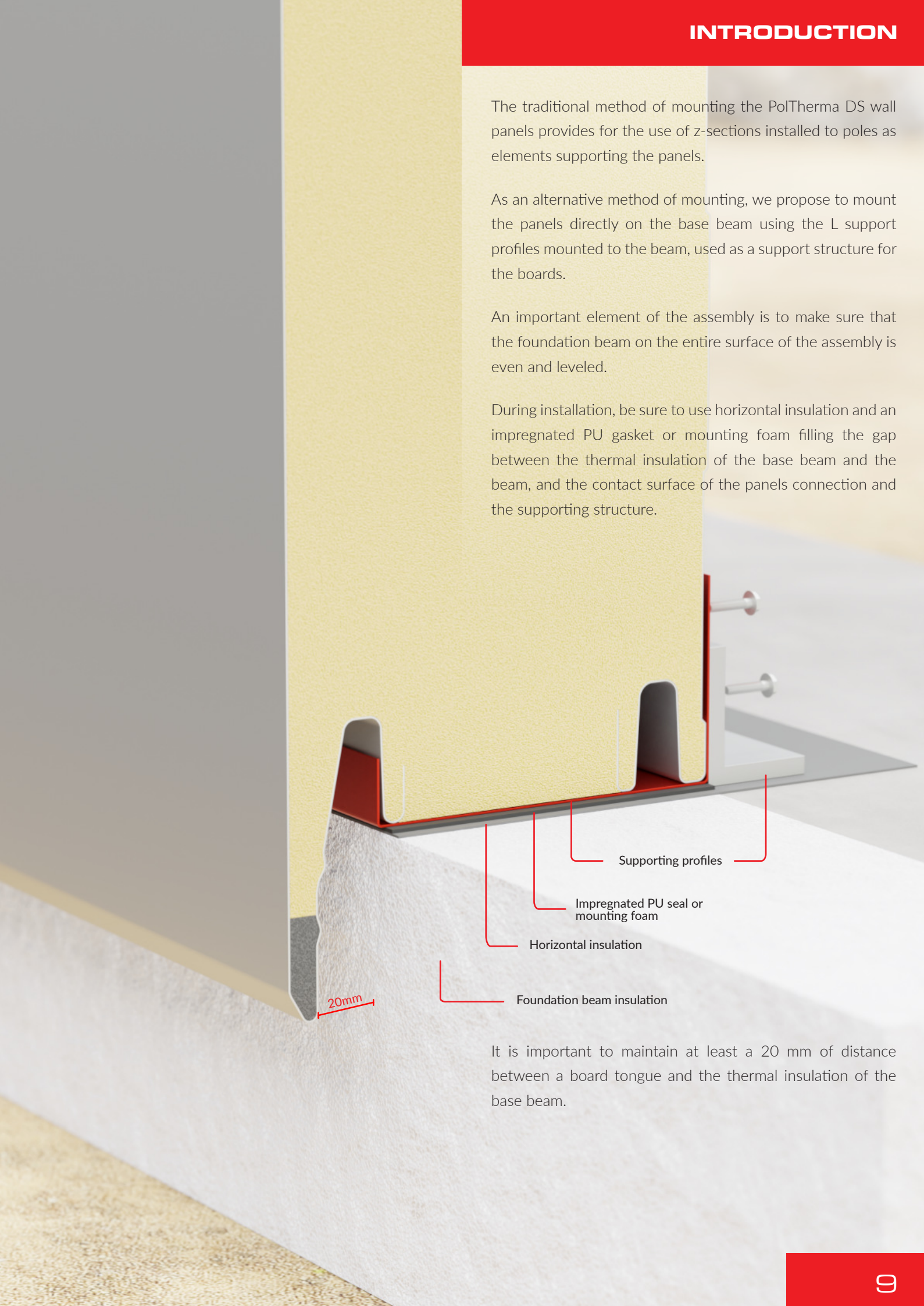


The traditional method of mounting the PolTherma DS wall panels provides for the use of z-sections installed to poles as elements supporting the panels.

As an alternative method of mounting, we propose to mount the panels directly on the base beam using the L support profiles mounted to the beam, used as a support structure for the boards.

An important element of the assembly is to make sure that the foundation beam on the entire surface of the assembly is even and leveled.

During installation, be sure to use horizontal insulation and an impregnated PU gasket or mounting foam filling the gap between the thermal insulation of the base beam and the beam, and the contact surface of the panels connection and the supporting structure.



It is important to maintain at least a 20 mm of distance between a board tongue and the thermal insulation of the base beam.

PolTherma DS

PREMIUM PANEL

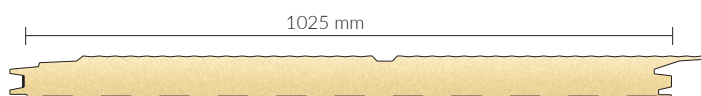
PolTherma DS is a wall sandwich panel with a rigid polyurethane foam (PU) core, fixed to the supporting structure in an invisible way (the so-called hidden contact). To fix it, a special washer and screws are necessary, which are covered by the overlapping plate at the time of its connection. In this way, the facade of the building is free of any visible fastenings, presenting a coherent sheet of elegant embossing.

Sandwich panel PolTherma DS is available in options:

- **FLEXI** – panel with internal cladding made of galvanized sheet
- **LAMINAT** – panel with internal cladding made of laminate

Not available in 160 mm thickness

Panel cross-section



Available panel thicknesses [mm]

60 80 100 120 160

Thermal conductivity coefficient λ_p [W/(m·K)]

0.022

Heat transfer coefficient $U_{d,s}$ for S profiling [W/(m²·K)]

0.46 0.32 0.25 0.20 0.15

Heat transfer coefficient $U_{d,s}$ for MK profiling [W/(m²·K)]

0.44 0.31 0.24 0.20 0.15

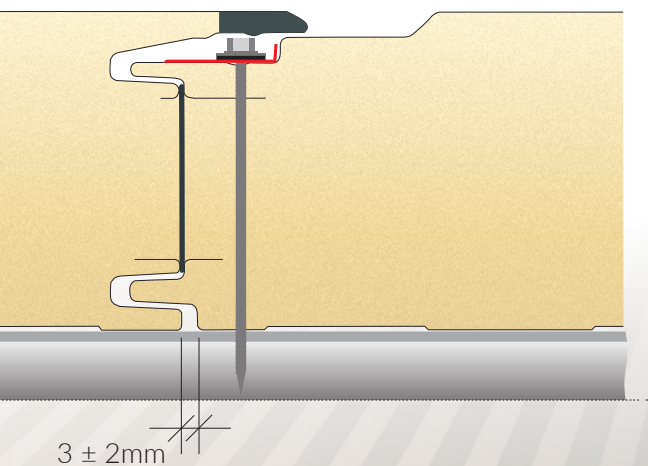
Weight 1 m² [kg]

11.5 12.3 13.0 13.8 15.3

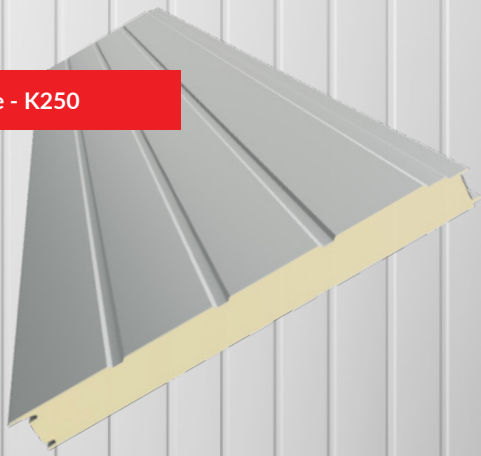
Maximum number of panels per package [pcs.]

18 14 11 9 7

Panel joint cross-section

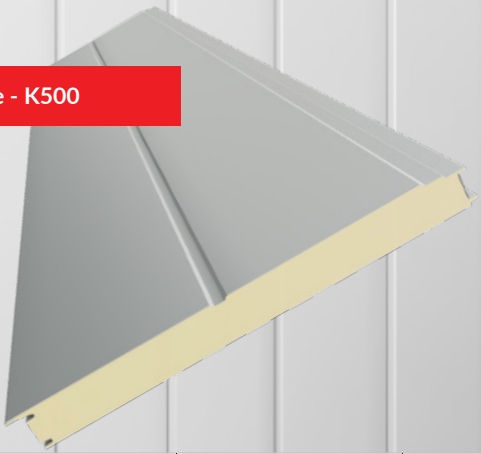


Cassette - K250



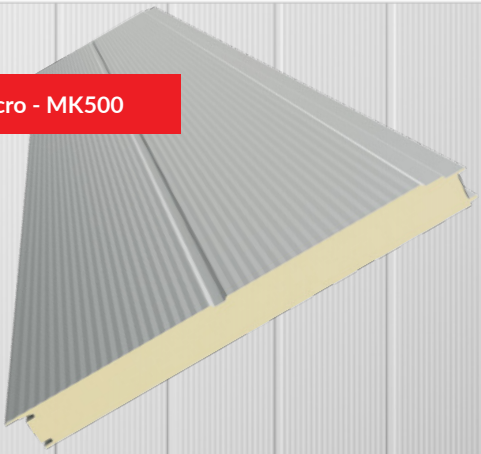
single module

Cassette - K500



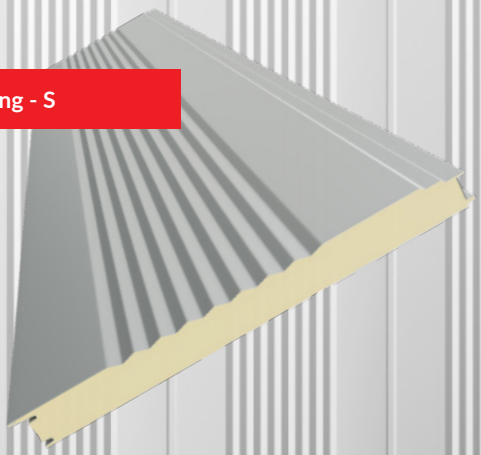
single module

Cassette-micro - MK500



single module

Slanting - S



single module

PolTherma DS

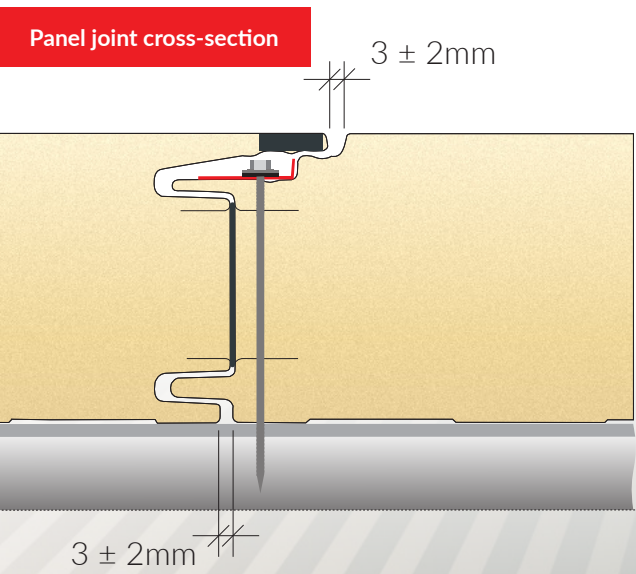




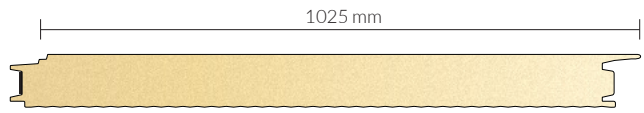
PolTherma PS

PolTherma PS is a wall sandwich panel with a rigid polyurethane foam (PU) core, fixed to the supporting structure in an invisible way (the so-called hidden contact). The PS board is a very popular product that is appreciated by customers, who require a high aesthetic with standard profiling.

Unlike other PU wall boards with a hidden contact from our offer, the toe covering the connection of PolTherma PS boards overlaps the next board without a visible connection. Such a design makes it possible to achieve a uniform sheet of elegant embossing on the entire facade.



Panel cross-section



Available panel thicknesses [mm]

60	80	100	120	160
----	----	-----	-----	-----

Thermal conductivity coefficient λ_D [W/(m·K)]

0.022

Heat transfer coefficient $U_{d,s}$ for S profiling [W/(m²·K)]

0.39	0.29	0.23	0.19	0.14
------	------	------	------	------

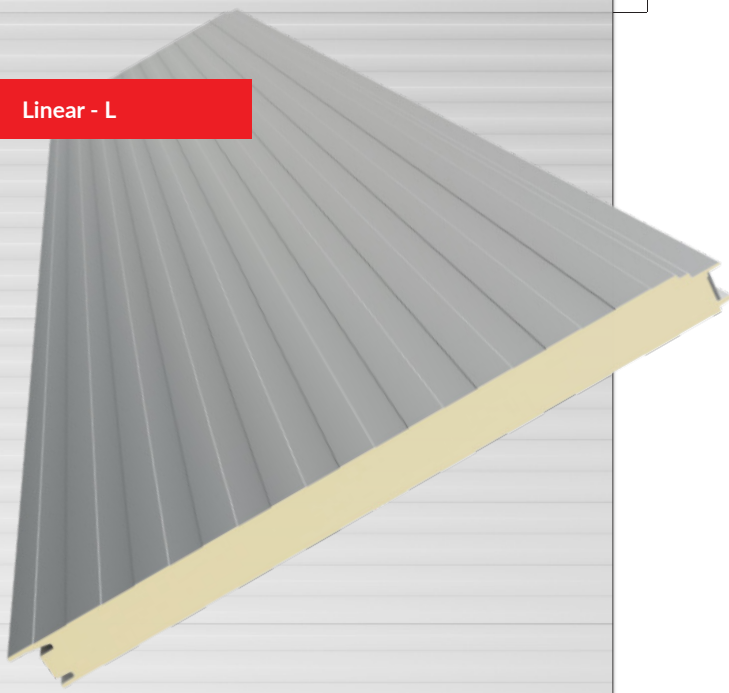
Weight 1 m² [kg]

11.5	12.3	13.0	13.8	15.3
------	------	------	------	------

Maximum number of panels per package [pcs.]

18	14	11	9	7
----	----	----	---	---

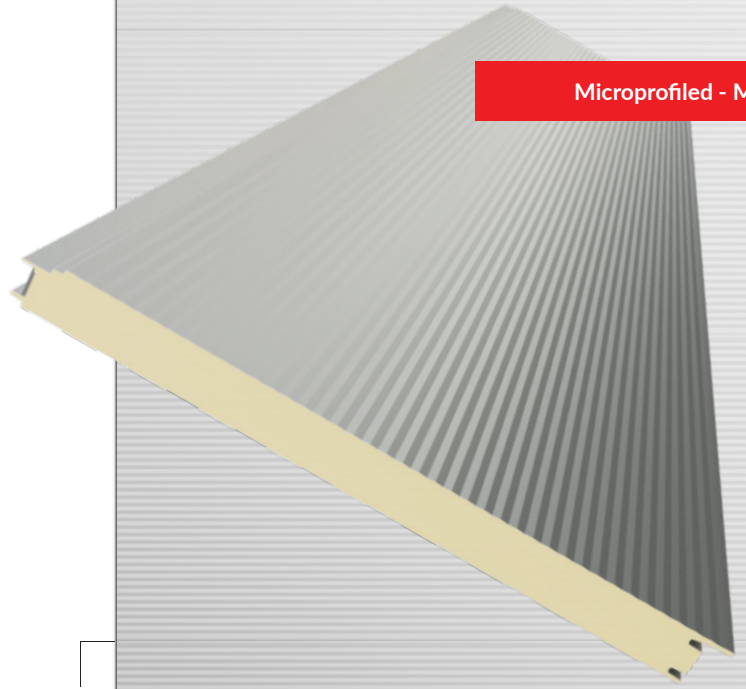
Linear - L



single module

single module

Microprofiled - M



PolTherma PS





PolTherma TS

PolTherma TS is a wall sandwich panel with a rigid polyurethane foam (PU) core, fixed to the supporting structure with a fastener passing through the entire thickness of the board (through). Its main advantages are the simplicity of assembly, a very favorable coverage width (1130 mm) and the use of a special gasket in the joint, improving the tightness of the connection.

PolTherma TS panels can be installed both horizontally and vertically to various supporting structures: steel, wooden or reinforced concrete.

Panel cross-section



Available panel thicknesses [mm]

40 60 80 100 120 160 200

Thermal conductivity coefficient λ_D [W/(m·K)]

0.022

Heat transfer coefficient U(d,S) for M,R,L profiling [W/(m²·K)]

0.62 0.39 0.29 0.23 0.19 0.14 0.11

Heat transfer coefficient U(d,S) for MK550 profiling [W/(m²·K)]

0.75 0.44 0.31 0.24 0.20 0.15 0.12

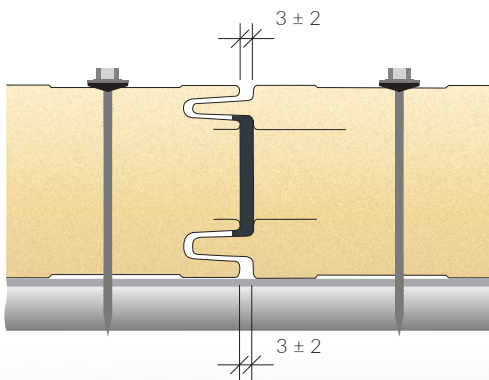
Weight 1 m² [kg]

10.4 11.2 11.9 12.7 13.5 15.1 16.5

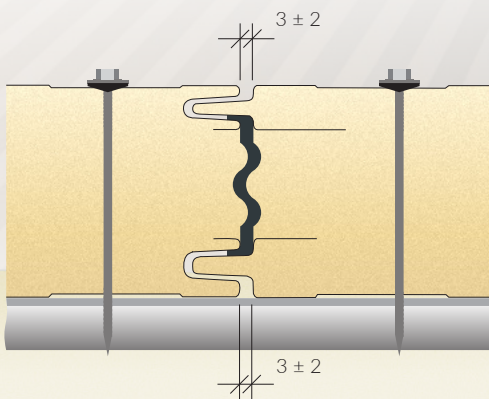
Maximum number of panels per package [pcs.]

28 18 14 11 9 7 5-6

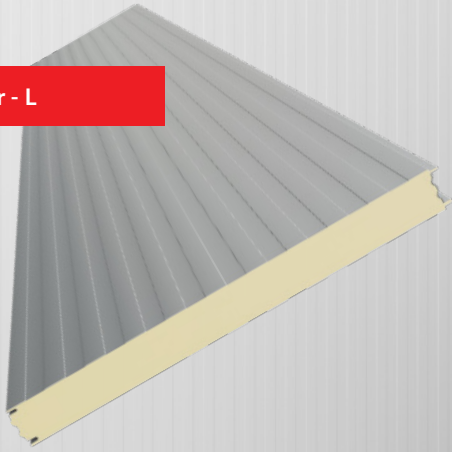
Cross-section of the panels' joint with a thickness of 40-80mm



Cross-section of the panels' joint with a thickness of 100-200mm

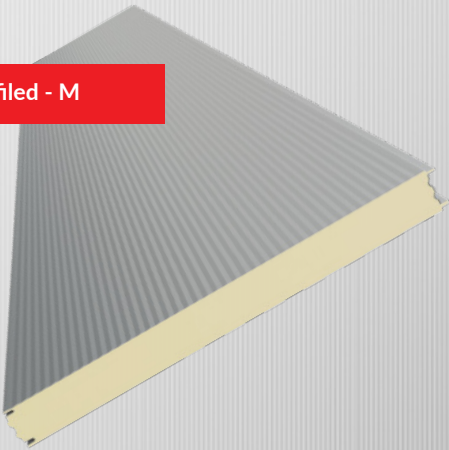


Linear - L



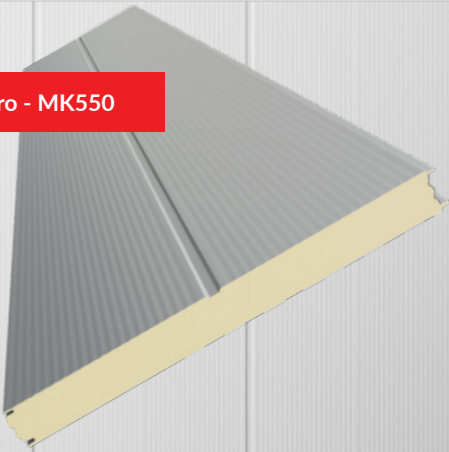
single module

Microprofiled - M



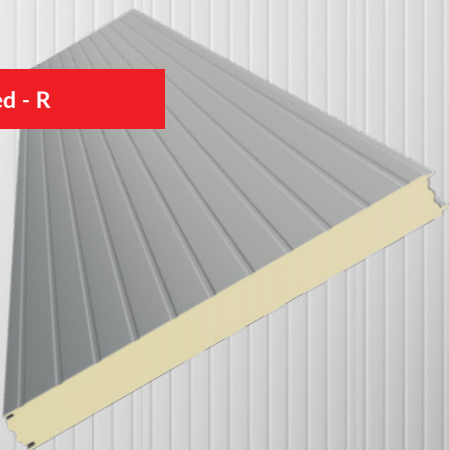
single module

Cassette-micro - MK550



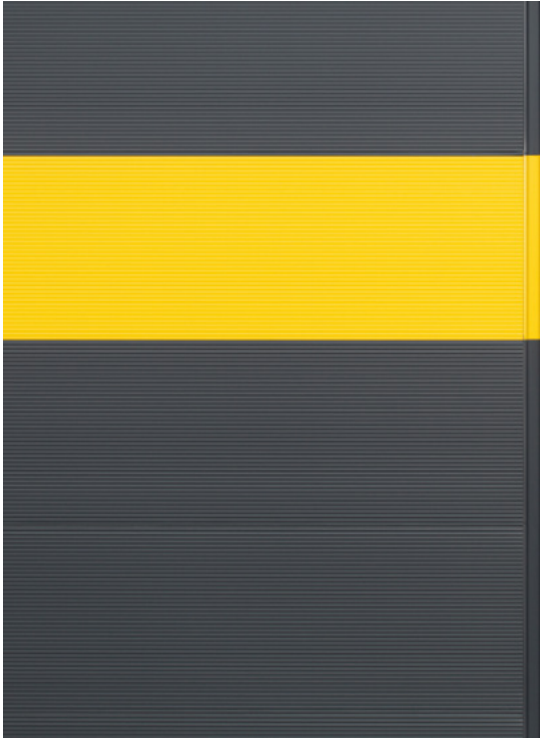
single module

Grooved - R



single module

PolTherma TS





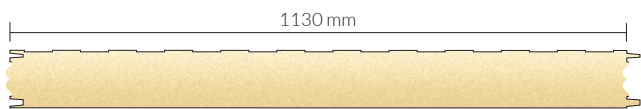
PolTherma CS

PolTherma CS is a specialized sandwich panel with a rigid polyurethane foam (PU) core for refrigeration applications. It is fixed to the supporting structure with a fastener (we recommend stainless steel fasteners), passing through the entire thickness of the board. In addition to its application in refrigeration, this board will work wherever the most important factor is to thermally insulate the walls.

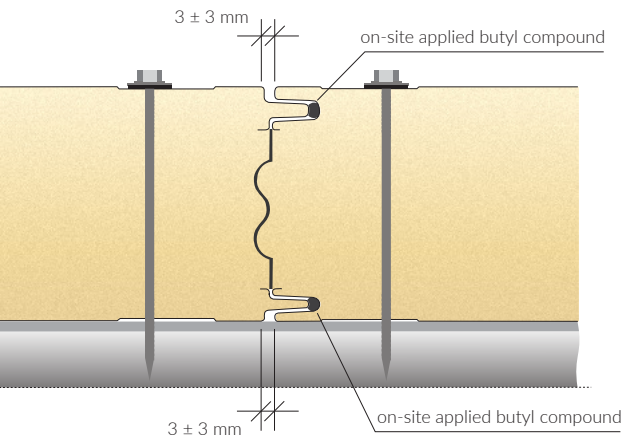
PolTherma CS is especially recommended in the food industry and agricultural buildings, as a wall construction or in the form of a suspended ceiling, e.g. in fruit and vegetable storage rooms, freezers, cold stores, butchers or slaughterhouses.

For facilities with very low temperatures, 100% insulation tightness will be ensured by a joint flooded with polyurethane applied on site. This allows to achieve measurable savings resulting from reduced electricity consumption.

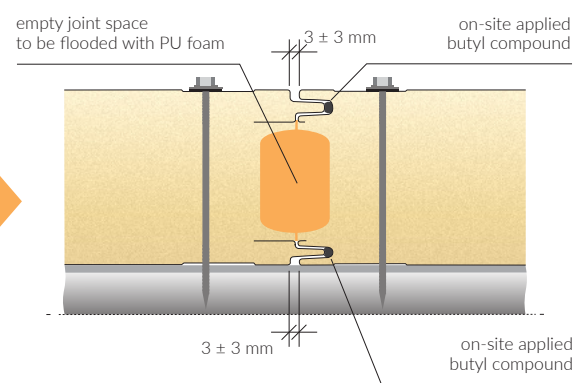
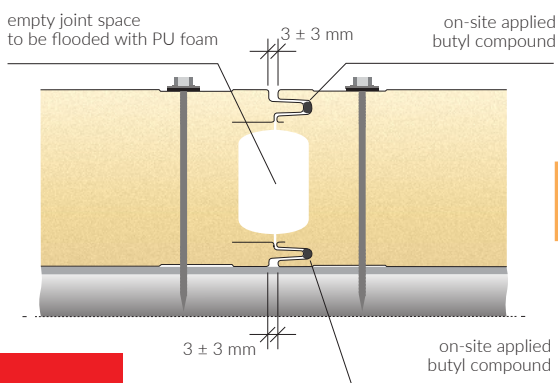
Panel cross-section



Panel joint cross-section - standard



Panel joint cross-section - PU flooded contact



Available panel thicknesses [mm]

120	160	200
-----	-----	-----

Thermal conductivity coefficient λ_D [W/(m·K)]

0.022

Heat transfer coefficient $U_{d,s}$ for M, R L profiling [W/(m²·K)]

0.18	0.14	0.11
------	------	------

Heat transfer coefficient $U_{d,s}$ for MK550 profiling [W/(m²·K)]

0.20	0.15	0.12
------	------	------

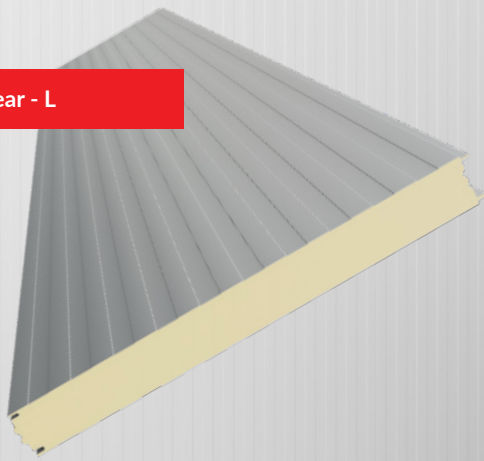
Weight 1 m² [kg]

13.4	14.9	16.5
------	------	------

Maximum number of panels per package [pcs.]

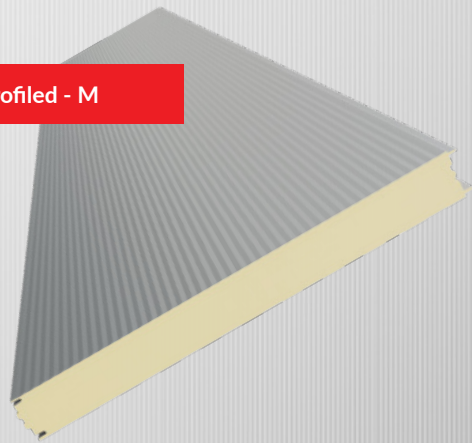
9	7	5-6
---	---	-----

Linear - L



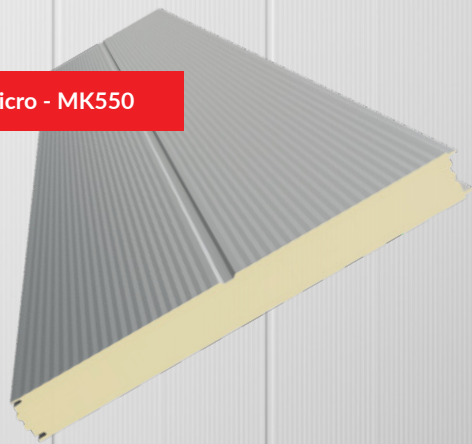
single module

Microprofiled - M



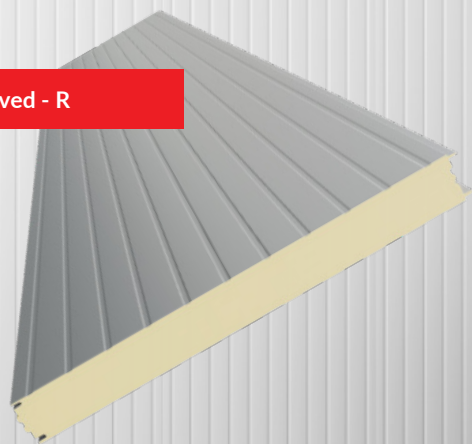
single module

Cassette-micro - MK550



single module

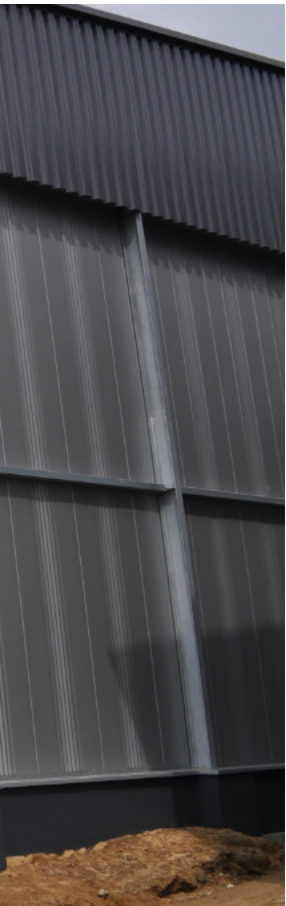
Grooved - R



single module

PolTherma CS





PolDeck TD

PolDeck TD is a roof sandwich panel with a rigid polyurethane foam (PU) core, fixed to the supporting structure with a fastener passing through the entire thickness of the board. PolDeck TD is a universal board and it is suitable for objects of various purposes, with roof slopes of at least 4° (7%) for continuous panels and 6° (10%) for panels joined in length, with skylights, etc.

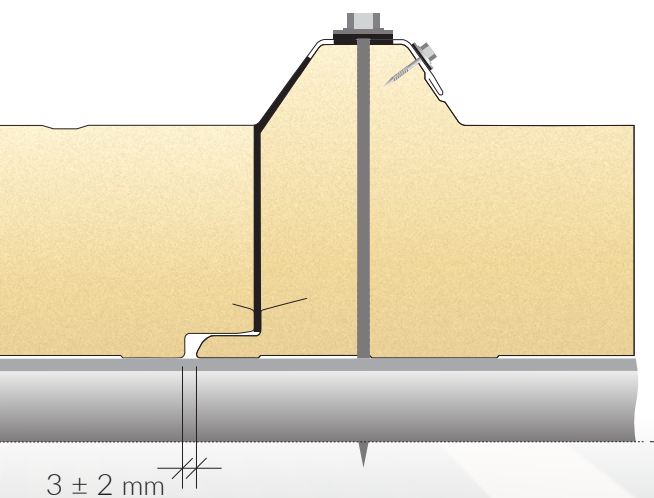
The PolDeck TD roof sandwich panel is available in the following options:

- **AGRO** – with an additional anti-condensation layer, the task of which is to absorb moisture appearing inside the building, and then release the moisture into the air in the form of water vapor;
- **OVERLAPPING** – undercutting the inner L & R lining from 50-300mm (not applicable to 40 and 60mm thicknesses).

Panel cross-section



Panel joint cross-section



Available panel thicknesses [mm]

40/75 60/95 80/115 100/135 120/155 145/180 165/200

Thermal conductivity coefficient λ_p [W/(m·K)]

0.022

Heat transfer coefficient $U_{d,s}$ [W/(m²·K)]

0.56 0.37 0.28 0.22 0.19 0.15 0.13

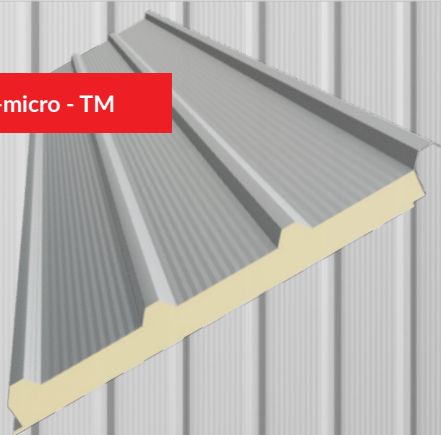
Weight 1 m² [kg]

10.7 11.5 12.3 13.0 13.8 14.8 15.6

Maximum number of panels per package [pcs.]

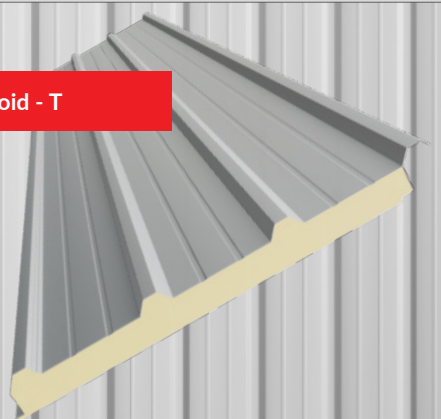
18 14 10 8 8 6 5-6

Trapezoidal-micro - TM

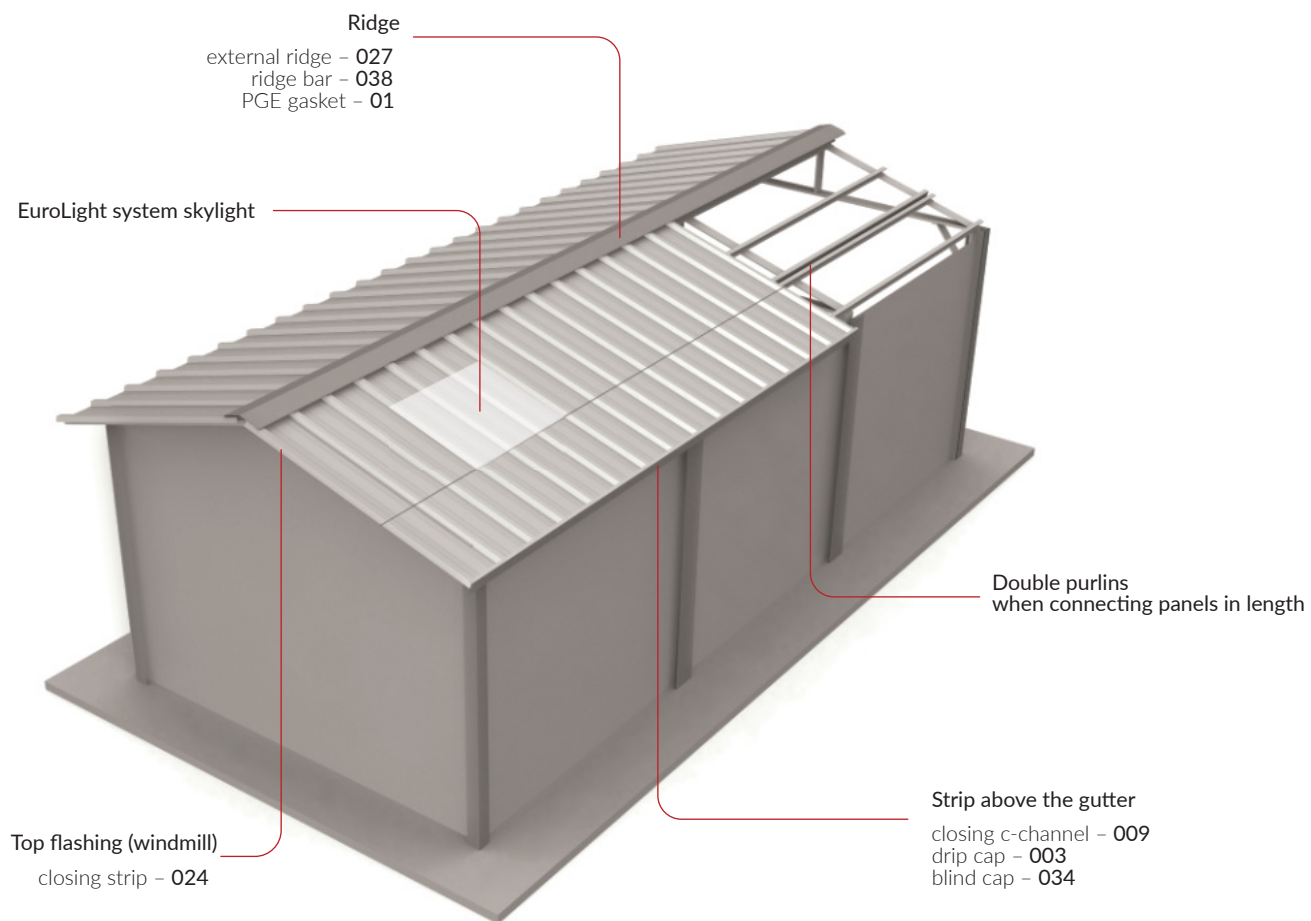


single module

Trapezoid - T



single module



PolDeck TD

Before you order PolDeck TD panels

It is very important to correctly measure the length of the panels to be installed in order to avoid the situation of ordering too long boards (unnecessary waste) or too short ones (which will render the assembly impossible at all in some instances). The lengths of the panels should be specified in the construction design. It can also be measured on the basis of the finished structure. The Ordering party remains responsible for performing these measurements.

The panel thickness should be selected in accordance with the purpose of the building and expectations regarding thermal insulation. Most often, for facilities where people are expected to stay, roof panels with a heat transfer coefficient of not more than 0.15 W/m²K are used. This parameter is met by PolDeck TD 145/180 and 165/200.

The supporting structure of the roof, designed for the assembly of sandwich panels, can be made of steel, wood or reinforced concrete. For each of these types of structures, different EuroPanels mounting screws are offered.

Remember to keep the appropriate spacing of the purlins, their profile, length and width, in accordance with the construction design. The supporting structure is a support for panels that will transmit snow, wind and rain loads to it.

Due to the influence of sunlight and strong heating of the roof surface, it is recommended to order roof panels in white (e.g. RAL9010), as well as the use of expansion joints and joining boards in length - thus "shortening" a single section of the board. In this way, it is possible for the boards to "work" on the structure and compensate for changes in the length of the cladding.





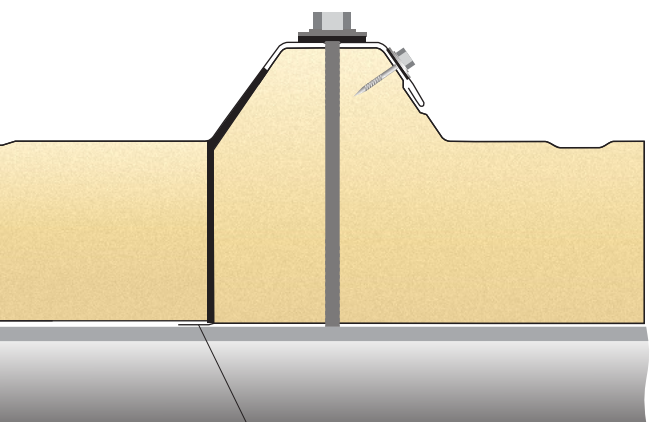
PolDeck MD

PolDeck MD is a roof sandwich panel with a rigid polyurethane foam (PU) core, an internal facing made of laminated polyester resin (hence the name laminate) reinforced with glass fiber, fixed to the supporting structure with a fastener passing through the entire thickness of the board. The number of connectors is determined by load tables and design loads.

The outer cladding is metal as in standard TD roof panels. PolDeck MD board is a panel for use mainly in livestock facilities, where there is an increased concentration of aggressive substances that increase the corrosivity of the environment.

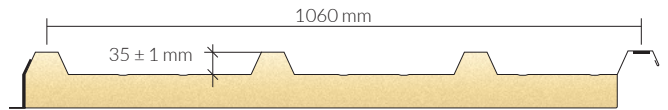
PolDeck MD is suitable for use in horticulture, storage rooms, warehouses, barns, poultry houses, facilities with roof slopes of at least 4° (7%) for continuous panels and 6° (10%) for boards joined in length, with skylights, etc. Laminate claddings can be washed with water under pressure (at an appropriate distance and direction).

Panel joint cross-section



It is recommended to glue the overlap with reinforced double-sided adhesive tape

Panel cross-section



Available panel thicknesses [mm]

40/75	60/95	80/115	100/135	120/155
-------	-------	--------	---------	---------

Thermal conductivity coefficient λ_D [W/(m·K)]

0.028	0.028	0.027	0.027	0.026
-------	-------	-------	-------	-------

Heat transfer coefficient $U_{d,s}$ [W/(m²·K)]

0.62	0.43	0.32	0.26	0.22
------	------	------	------	------

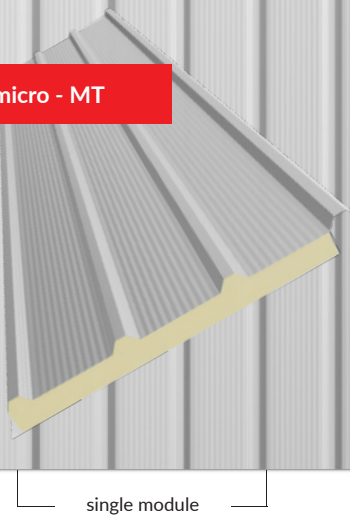
Weight 1 m² [kg]

6.47	7.23	7.98	8.74	9.50
------	------	------	------	------

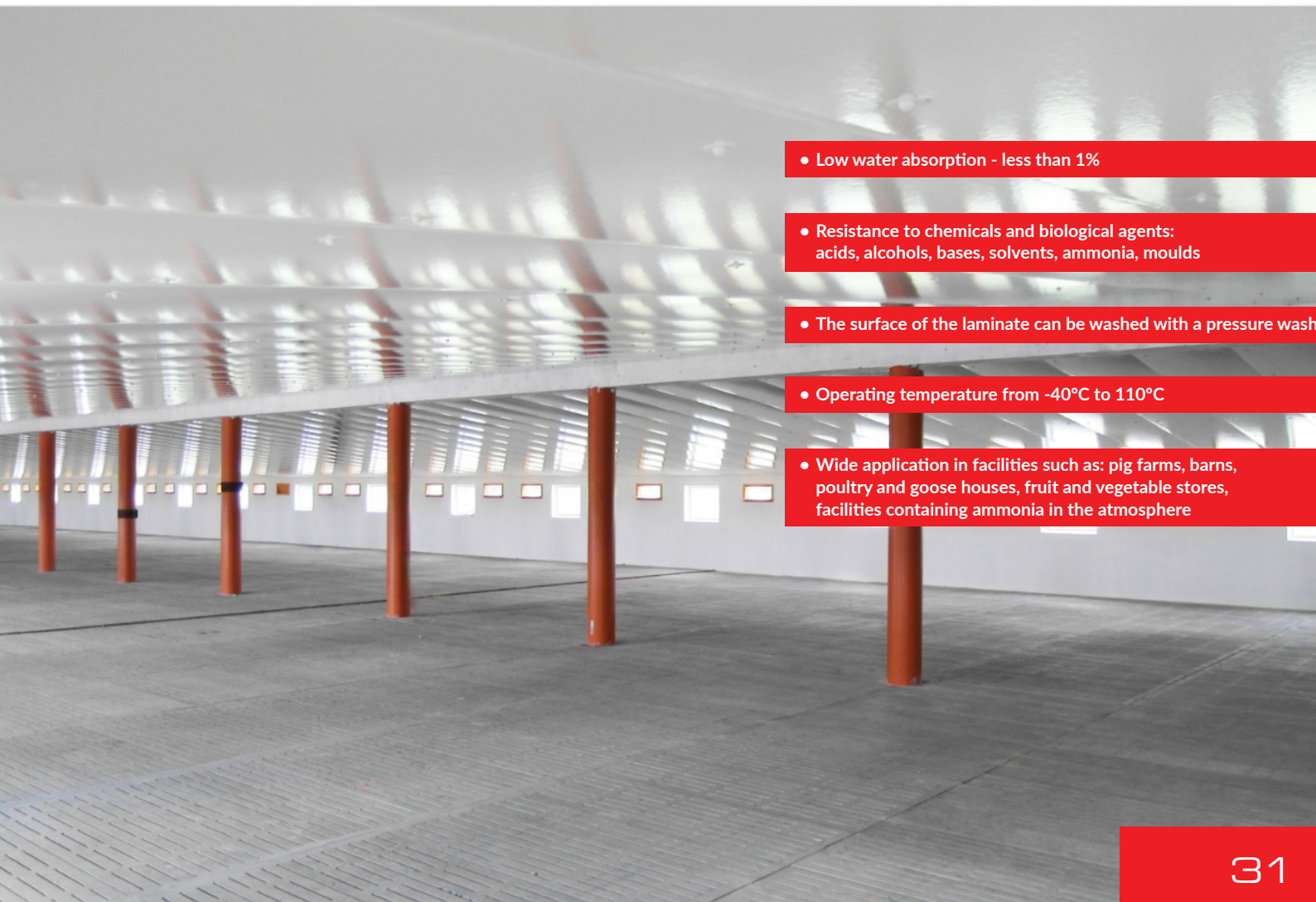
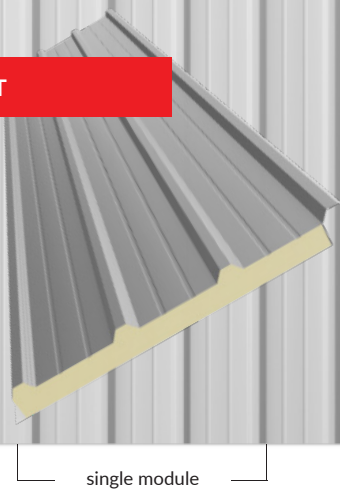
Maximum number of panels per package [pcs.]

18	14	10	8	8
----	----	----	---	---

Trapezoidal-micro - MT



Trapezoid - T



- Low water absorption - less than 1%

- Resistance to chemicals and biological agents: acids, alcohols, bases, solvents, ammonia, moulds

- The surface of the laminate can be washed with a pressure wash

- Operating temperature from -40°C to 110°C

- Wide application in facilities such as: pig farms, barns, poultry and goose houses, fruit and vegetable stores, facilities containing ammonia in the atmosphere

PolDeck MD





PolDeck BD

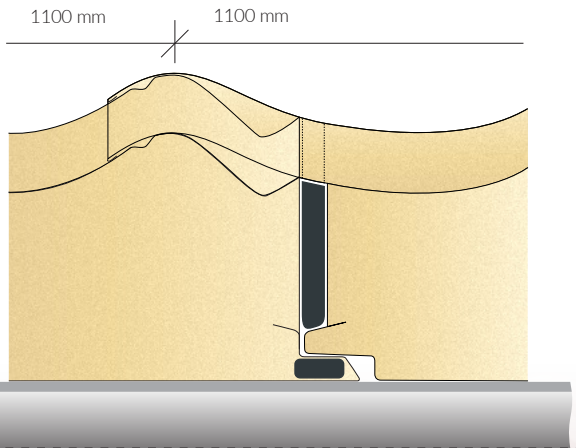
PREMIUM PANEL

PolDeck BD is the latest and most technologically advanced item in the EuroPanels sandwich panel assortment.

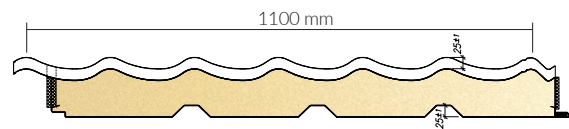
PolDeck BD is a roof sandwich panel made in the attractive form of sheet metal. The use of PU rigid polyurethane foam core allows us to obtain a perfect filling of all "nooks and crannies" of profiling, which gives the product very favorable insulation and strength properties. Another advantage is the quick installation of screws through and through to the structure, which can be made of wood, steel or concrete. The required minimum roof slope is 12° (21%).

PolDeck BD is perfect wherever the roofing is visible and constitutes an important element of architecture (e.g. in agricultural construction).

Panel joint cross-section



Panel cross-section



Available panel thicknesses [mm]

80/105	100/125	120/145
--------	---------	---------

Thermal conductivity coefficient λ_p [W/(m·K)]

0.022

Heat transfer coefficient $U_{d,s}$ [W/(m²·K)]

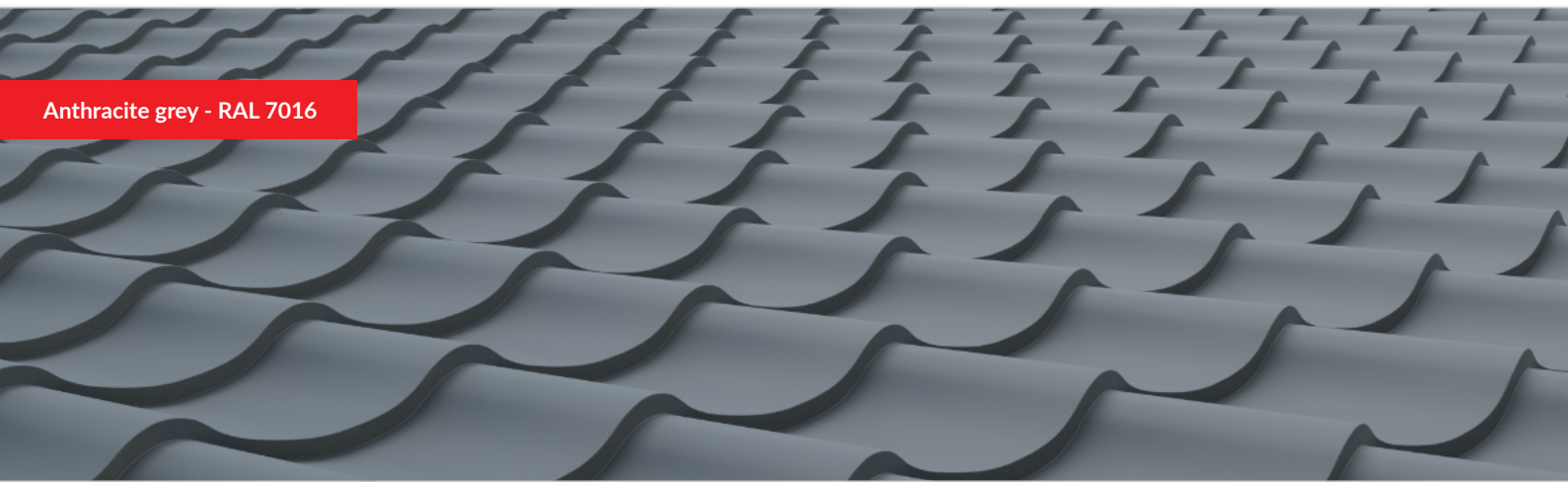
0.36	0.27	0.22
------	------	------

Weight 1 m² [kg]

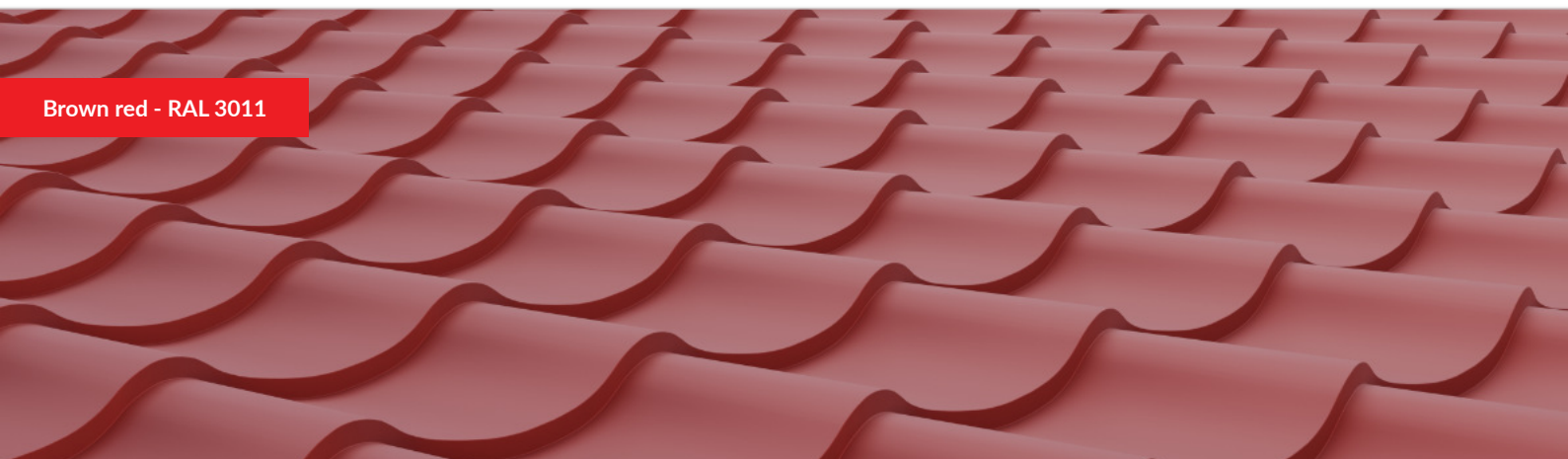
11.0	11.8	12.6
------	------	------

Maximum number of panels per package [pcs.]

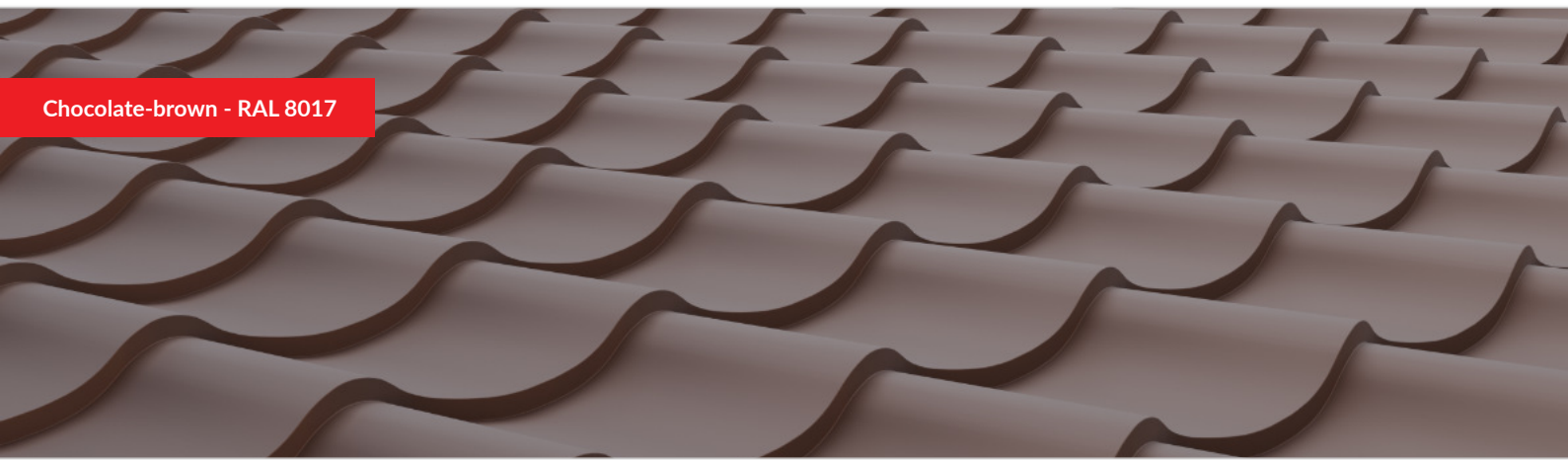
7	6	5
---	---	---



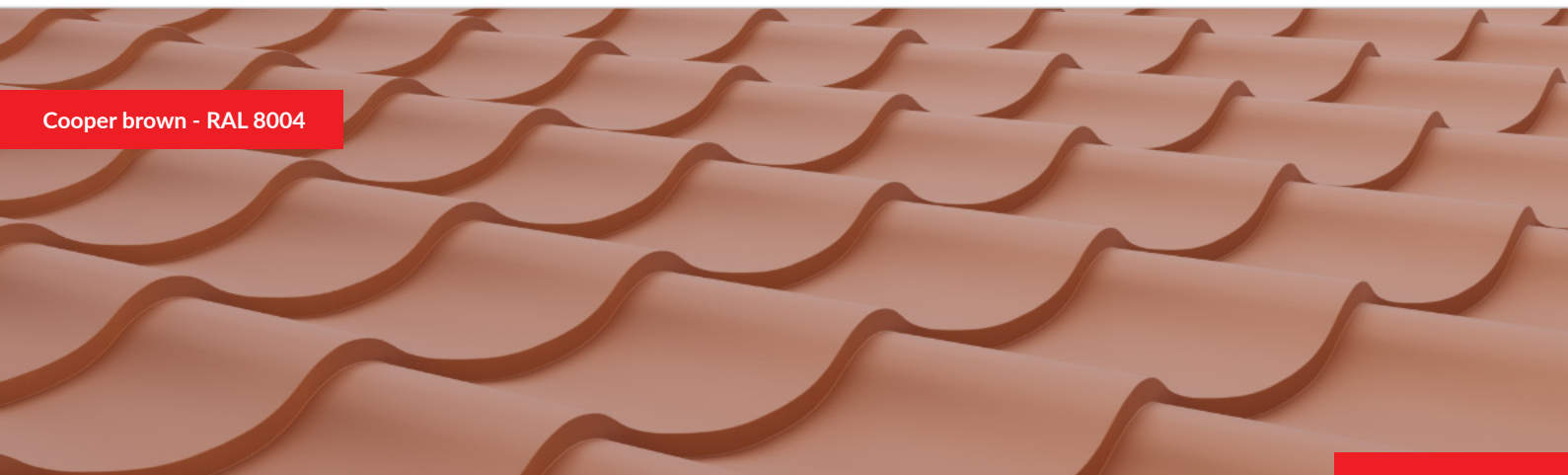
Anthracite grey - RAL 7016



Brown red - RAL 3011



Chocolate-brown - RAL 8017



Cooper brown - RAL 8004

PolDeck BD





PolTherma SOFT



PolTherma SOFT is a high-quality product manufactured on the basis of the latest technologies, intended for use as thermal insulation in buildings. PolTherma SOFT boards are in the form of insulation panels made of rigid PU foam. The use of PolTherma SOFT boards gives a number of measurable benefits both at the assembly stage and during the operation of the building.

PolTherma Soft panels are available with two types of cladding:

- **COMPOSITE** - multilayer cladding: paper, PE film, AL foil (external/internal cladding)
- **LAMINATE** - polyester resin reinforced with fibreglass (inner lining)

Energy Efficiency

The use of PolTherma SOFT panels contributes to effective thermal insulation of the building. It allows for stable maintenance of the desired air temperature. PolTherma SOFT provides excellent thermal insulation, both in winter and summer.

Ease of installation

Thanks to the use of a core made of PU foam, the PolTherma SOFT board has very high resistance to external pressures and mechanical deformations. Such features are necessary to execute thermal insulation of a durable flat roof and for its subsequent trouble-free maintenance.

Available panel thicknesses [mm]

40	60	80	100	120
----	----	----	-----	-----

Thermal resistance value R [(m²·K)/W] - COMPOSITE

1.81	2.70	3.57	4.54	5.55
------	------	------	------	------

Thermal resistance value R [(m²·K)/W] - LAMINATE

1.42	2.12	3.03	3.84	5.00
------	------	------	------	------

Heat transfer coefficient U_{d,s} [W/(m²·K)] - COMPOSITE

0.55	0.37	0.28	0.22	0.18
------	------	------	------	------

Heat transfer coefficient U_{d,s} [W/(m²·K)] - LAMINATE

0.70	0.47	0.33	0.26	0.20
------	------	------	------	------

Maximum number of panels per package [pcs.]

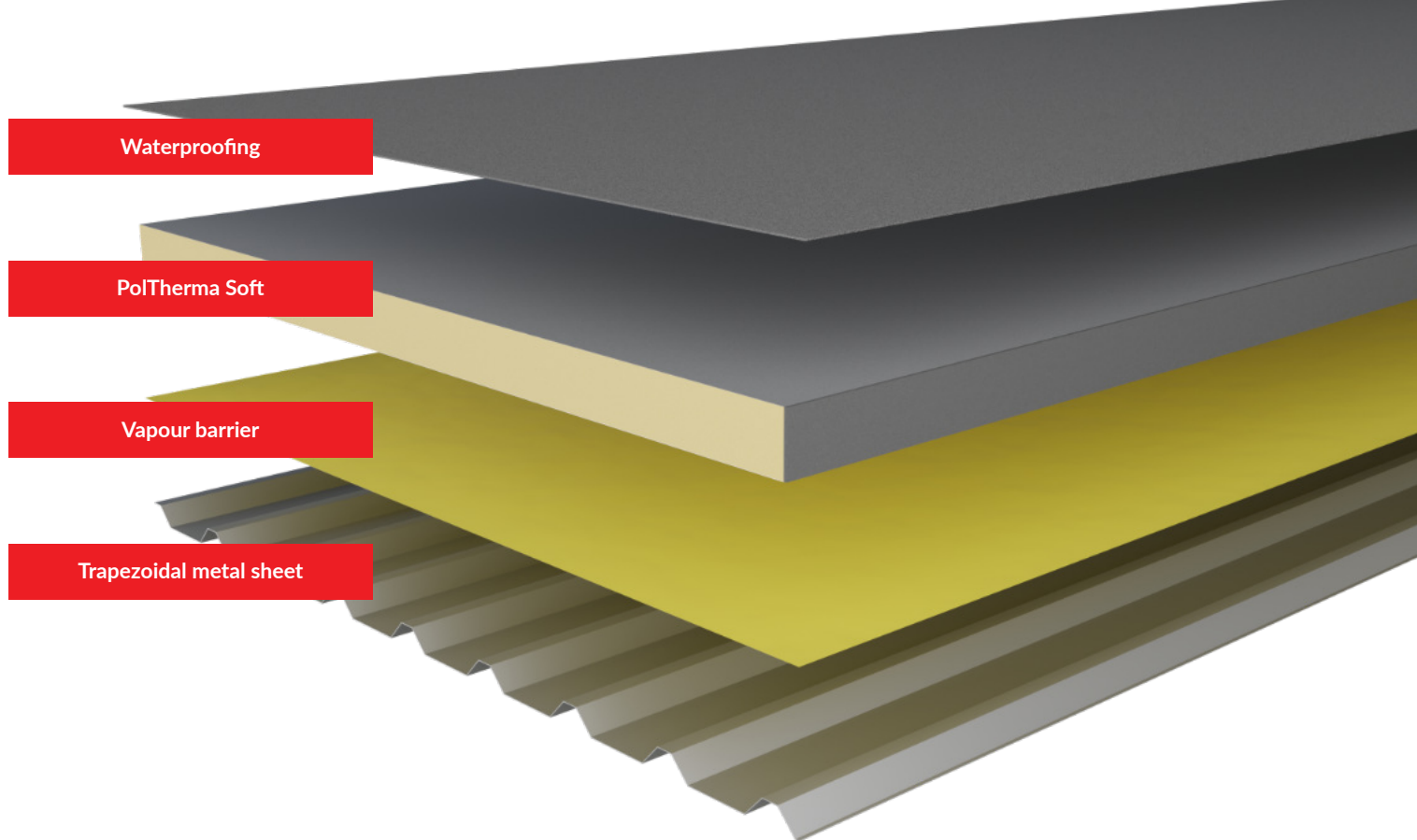
28	18	14	11	9
----	----	----	----	---

Mechanical strength

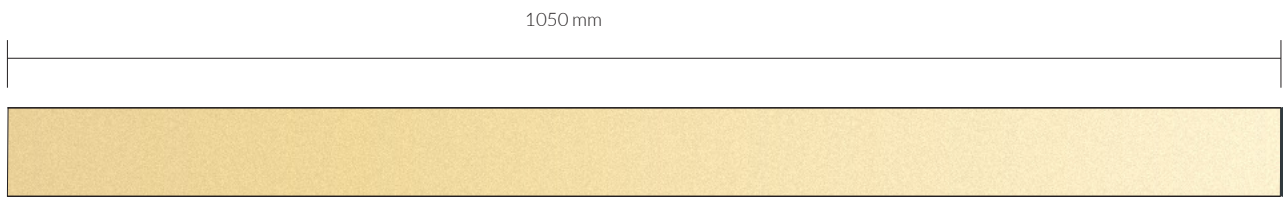
The installation of PolTherma SOFT insulation boards is extremely easy, thanks to their low weight and simple processing, without dusting. The use of milled contact additionally affects the convenience of assembly, while improving thermal insulation properties. Panels available on request.

Low hygroscopicity

An important parameter determining the thermal insulation properties of the material is its low water absorption. PolTherma SOFT boards use the most advantageous insulation material: polyurethane foam core. Thanks to its closed cells, it is characterized by very high resistance to moisture ingress and air infiltration.



Panel cross-section



Main characteristics of PolTherma SOFT panels:

- Very good thermal insulation - the best of the materials currently used in construction:
 - the lowest value of the thermal conductivity coefficient $\lambda_D = 0.022$ [W/m·K] *
 - almost twice smaller insulation layer in relation to other known insulating materials, with the same heat transfer coefficient U
- High thermal stability for the entire service life of the building thanks to the closed cell structure, especially in combination with a gas-tight cladding (composite).
- Lightweight - which minimizes the loads on the load-bearing structure
- Negligible hygroscopicity - water absorption (of less than 2%) for the core
- High chemical resistance of the core to organic solvents
- Resistance to fungi and microorganisms
- Simplified and safe installation
- The core does not degrade over time
- CE Declaration of Performance according to PN-EN 13165+A1:2015-03

* Declared value at +10

Intended purpose of PolTherma SOFT panels:

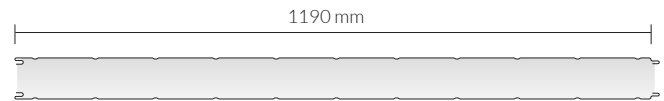
- Insulation of diaphragm walls
- Insulation of flat and sloping roofs
- Insulation of floors and terraces
- Insulation of interior walls and ceilings
- Domestic and industrial use

ThermaStyle PRO

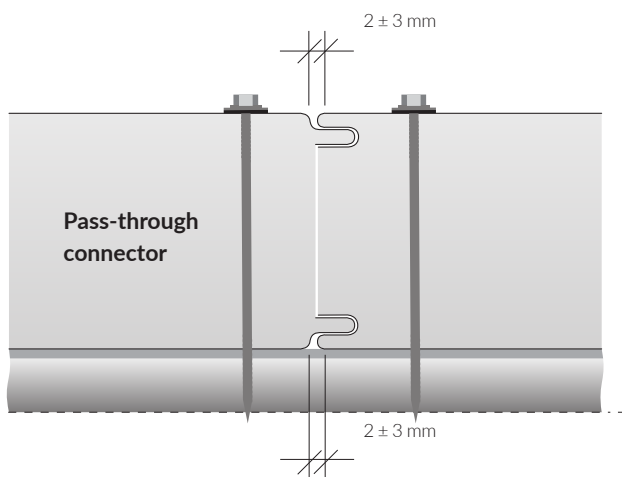
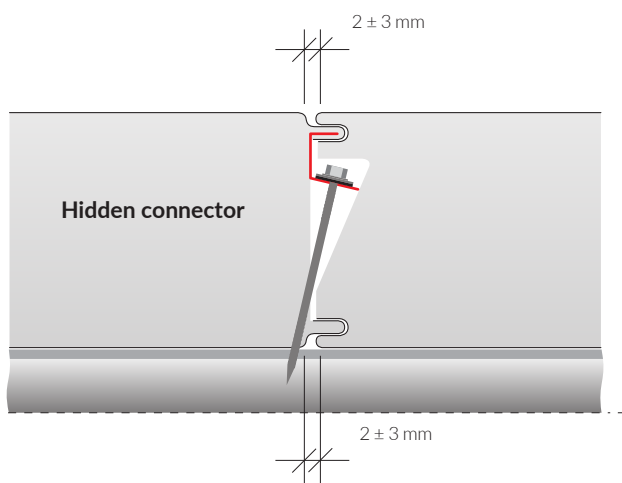
ThermaStyle PRO is a wall sandwich panel with a polystyrene (EPS) core that can be attached to the supporting structure using a connector invisible from the facade side. Thanks to this, the surface of the walls installed in the ThermaStyle PRO system is homogeneous and undisturbed by fasteners. ThermaStyle PRO boards can also be installed in a standard way, i.e. directly through with connectors to the supporting structure - wooden, steel or made of reinforced concrete.

The versatile nature of the ThermaStyle PRO panels allows for fast, very cheap and durable erection of light wall structures with a variety of purposes.

Panel cross-section



Panel joint cross-section



Available panel thicknesses [mm]

50	75	100	125	150	200	250	300
----	----	-----	-----	-----	-----	-----	-----

Thermal conductivity coefficient λ_D [W/(m·K)]

0.037

Heat transfer coefficient $U_{d,s}$ [W/(m²·K)]

0.62	0.44	0.34	0.28	0.23	0.18	0.15	0.12
------	------	------	------	------	------	------	------

Weight 1 m² [kg]

9.4	9.8	10.2	10.6	11.1	11.9	12.8	13.6
-----	-----	------	------	------	------	------	------

Maximum number of panels per package [pcs.]

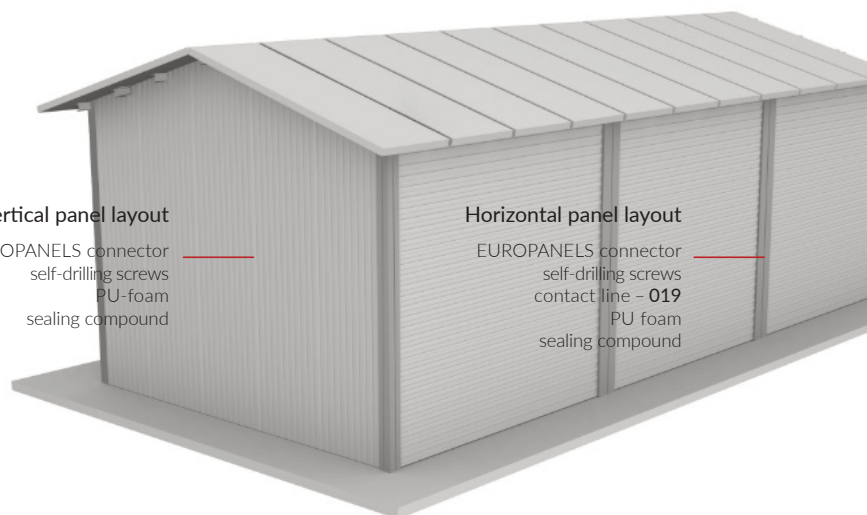
10	13	10	8	7-8	5	4-5	3
----	----	----	---	-----	---	-----	---

Vertical panel layout

EUROPANELS connector
self-drilling screws
PU-foam
sealing compound

Horizontal panel layout

EUROPANELS connector
self-drilling screws
contact line - **019**
PU foam
sealing compound

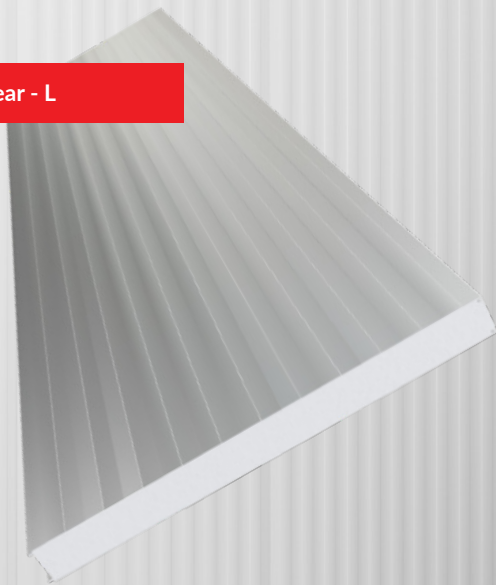


Trapezoid - T



single module

Linear - L



single module

Microprofiled - M



single module

ThermaStyle PRO





ThermaDeck PRO

ThermaDeck PRO are roof sandwich panels with an EPS polystyrene core. They can be fixed to the supporting structure with a set consisting of a EUROPANELS concealed fastener and a screw (so-called concealed fastening) or directly with a through screw (so-called visible fastening).

ThermaDeck PRO boards are intended for use as roofing for all types of buildings where the slope of the roof slope in the slope direction is at least 4° (7%) for a cover consisting of a single board (up to 7 m) or 6° (10%) for boards joined in length, installed with skylights, etc.

Panel cross-section



Available panel thicknesses [mm]

75	100	150	200	250	300
----	-----	-----	-----	-----	-----

Thermal conductivity coefficient λ_b [W/(m·K)]

0.037

Heat transfer coefficient $U_{d,s}$ [W/(m²·K)]

0.46	0.36	0.24	0.18	0.15	0.12
------	------	------	------	------	------

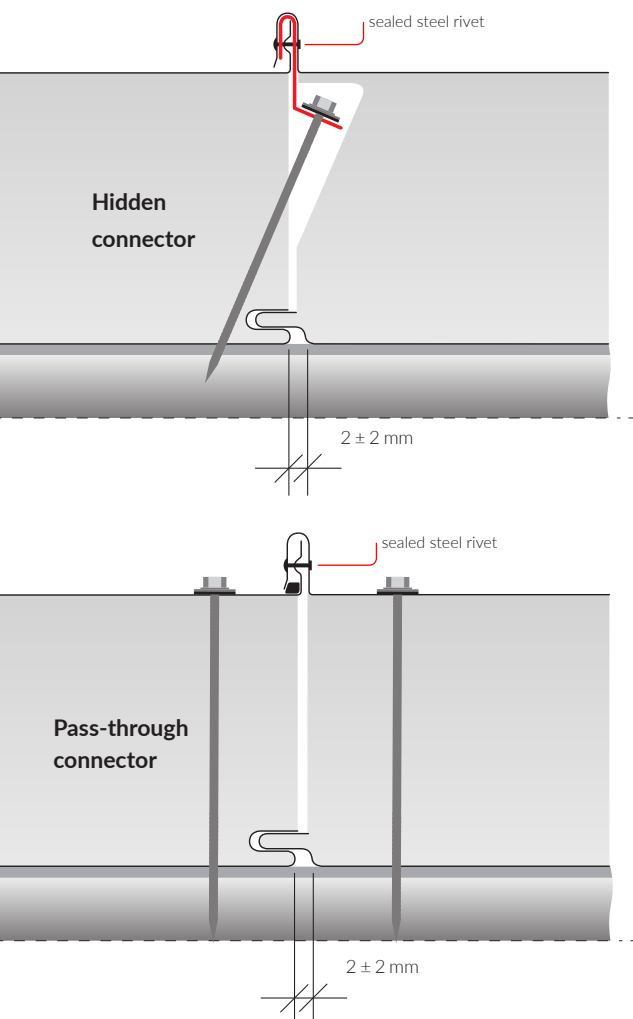
Weight 1 m² [kg]

10.2	10.6	11.1	11.9	12.8	13.6
------	------	------	------	------	------

Maximum number of panels per package [pcs.]

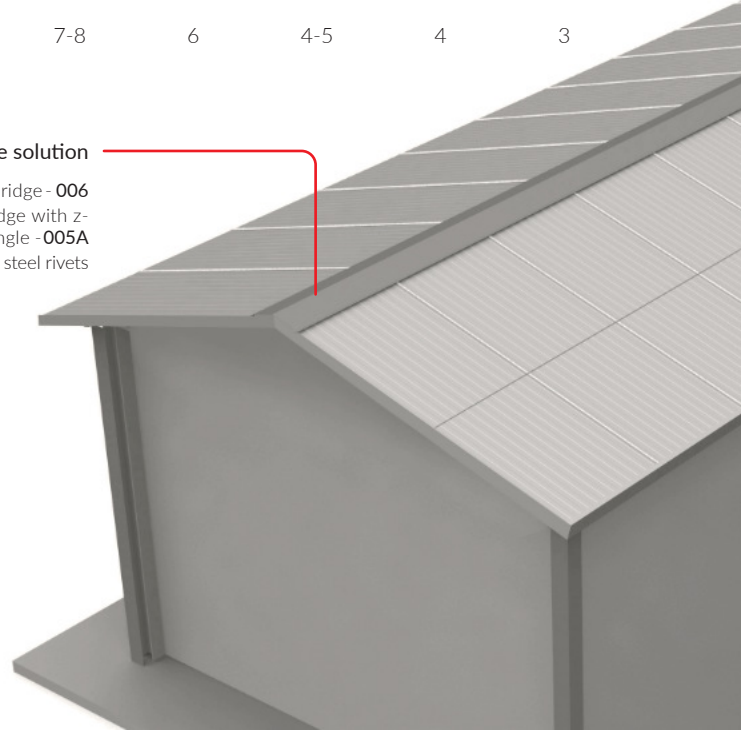
7-8	7-8	6	4-5	4	3
-----	-----	---	-----	---	---

Panel joint cross-section



Ridge solution

- inner ridge - 006
- internal ridge with z-angle - 005A
- sealed steel rivets



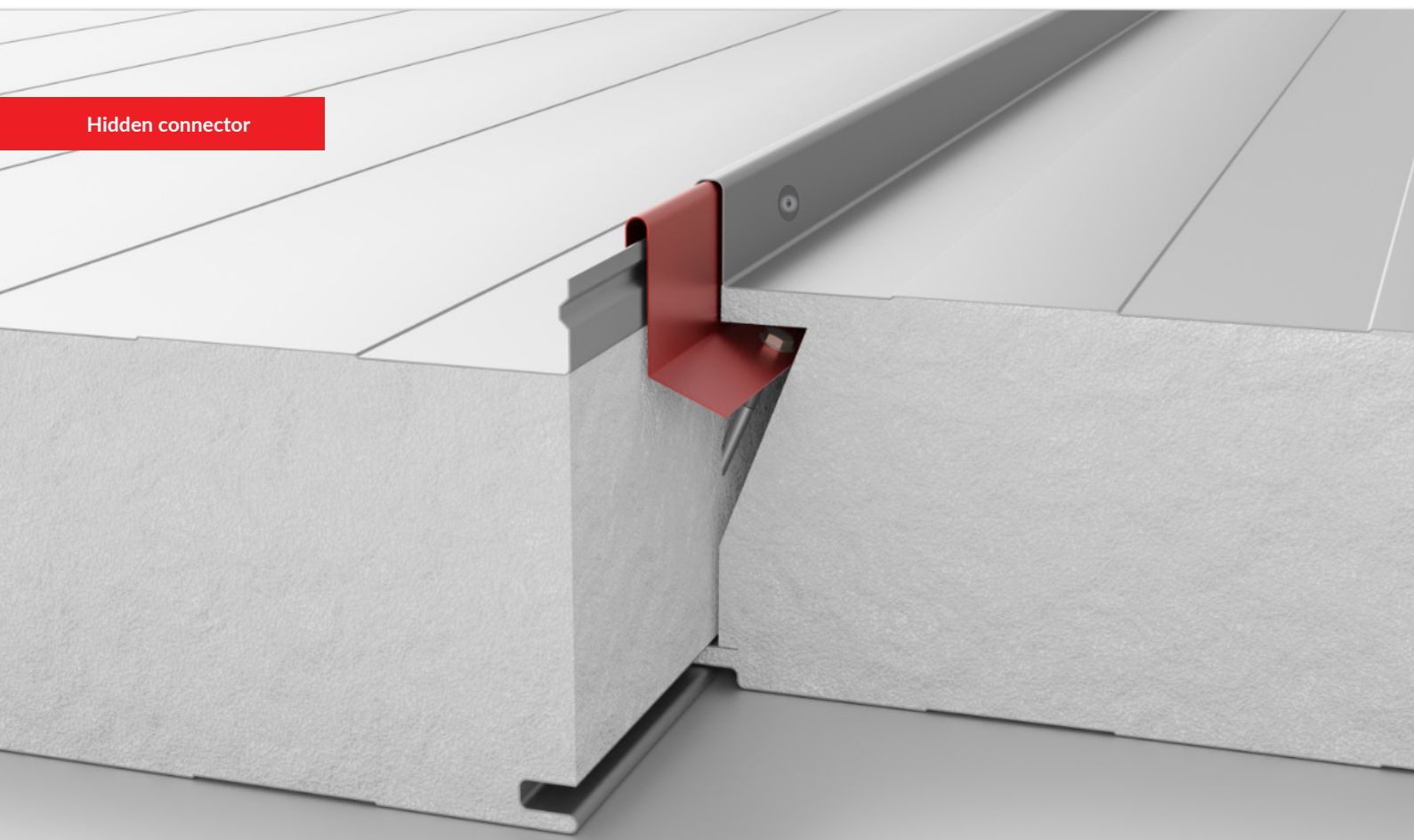
Trapezoid - T



Linear - L



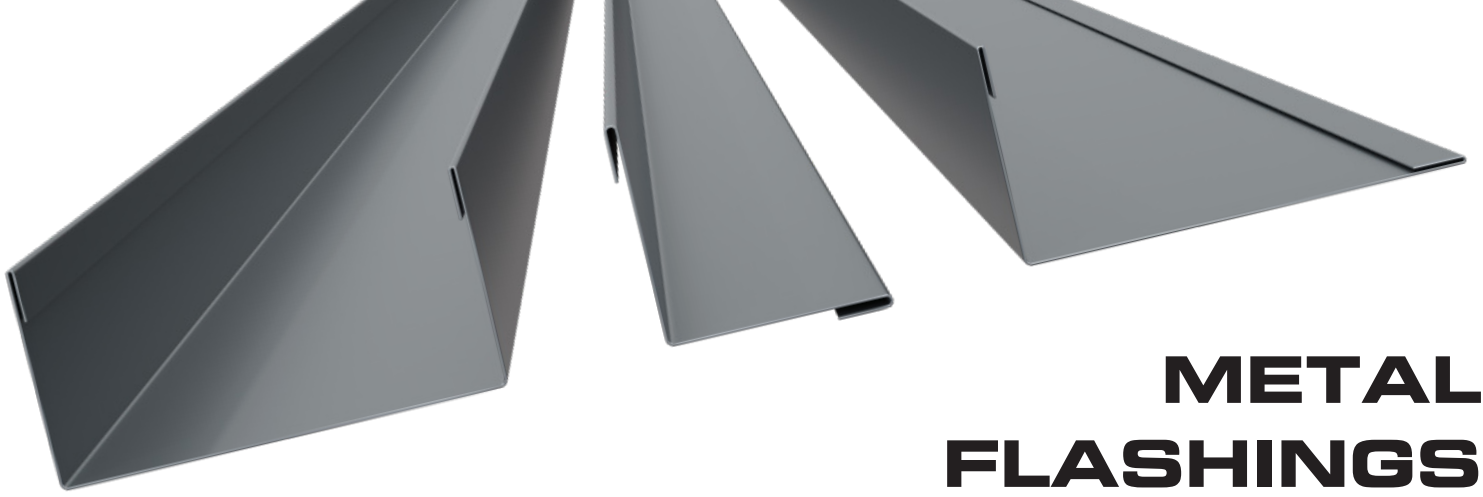
Hidden connector



ThermaDeck PRO







METAL FLASHINGS

Modern double CNC bender

Europanel has the best-in-class, state-of-the-art, computer-controlled automatic sheet bending machines. They are controlled with touch panel, on which the machining is first drawn, then the dimensions and angles are corrected with very high accuracy, later the method of making the element is checked to eliminate possible collisions of bent edges. At the end, the prepared sheet metal is fed and after a while we get a ready element, which the bending machine executes strictly according to the entered data under the supervision of the operator. The sheet is gripped by hydraulically controlled "fingers", bent in both directions (up and down), moved automatically while maintaining very high precision.

Parameters

- thickness of steel sheets: up to 1.5 mm
- thickness of aluminum sheets: up to 2.0 mm
- minimum facing: 15 mm
- maximum length of the finished element: 6.4 m
- maximum batch width of the sheet: 1250 mm
- maximum bending angle: 140°
- possibility to execute several elements at the same time (e.g. 3 × 2 m; 2 × 3 m)



Large working range
the possibility of processing
with a width of up to 700 mm

High precision products
repeatable high precision
sheet metal bending



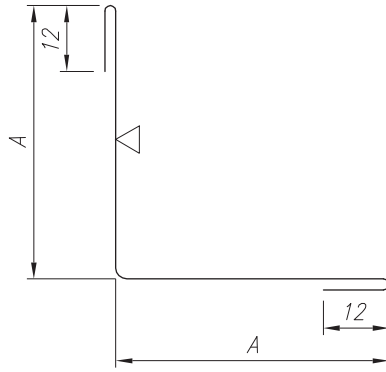
Numerical control
also according to
any customer's design

Why it's worth to order flashings at Europanel

- fast production of standard machining from the Europanel catalogue tailored to the board assortment
- the possibility of individual flashings according to the customer's drawing
- 100% repeatable dimensions (important mainly for maintaining even sections and bending angles during serial production)
- any length of the elements made (up to 6.4 m max)
- each element can have a conical end, enabling perfect joining along the length (machining slide in at for distance of 50mm, which compensates for the thickness of the sheets resulting in an even outer edge)
- possibility to perform non-standard flashings with very sophisticated shapes



STANDARD FLASHINGS - WALL PANELS

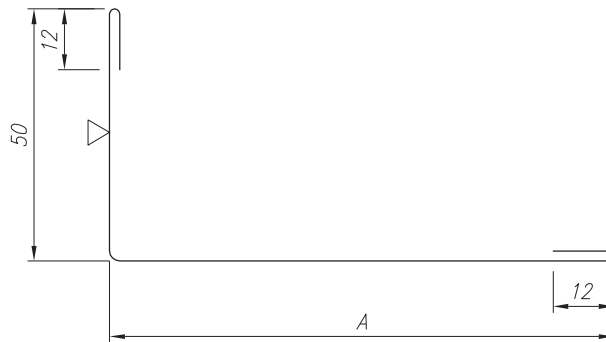


Inner angle 50

Cat.-No.: 001

For boards:

PolTherma CS
PolTherma DS
PolTherma PS
PolTherma TS
ThermaStyle PRO

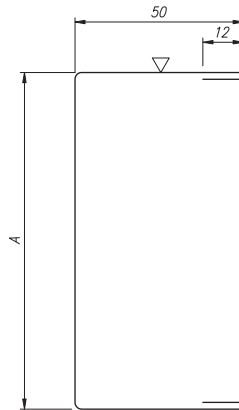


External angle 70

Cat.-No.: 002

For boards:

PolTherma CS
PolTherma DS
PolTherma PS
PolTherma TS
ThermaStyle PRO

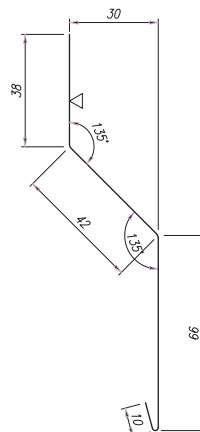


Masking C-profile

Cat.-No.: 004

For boards:

PolTherma CS
PolTherma DS
PolTherma PS
PolTherma TS
ThermaStyle PRO

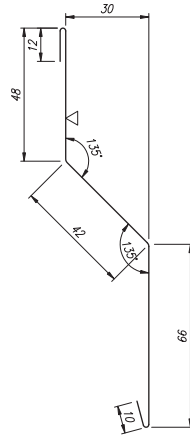


Masking strip

Cat.-No.: 008A

For boards:

PolTherma CS
PolTherma DS
PolTherma PS
PolTherma TS
ThermaStyle PRO

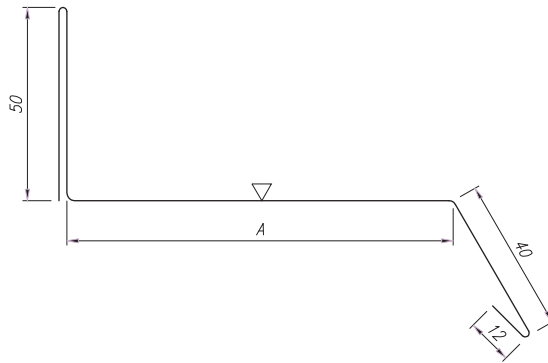


Masking strip

Cat.-No.: 008B

For boards:

- PolTherma CS
- PolTherma DS
- PolTherma PS
- PolTherma TS
- ThermaStyle PRO

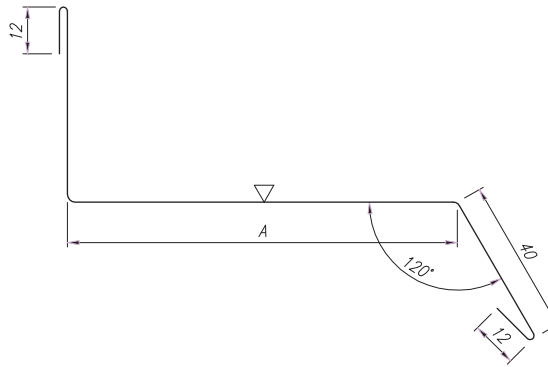
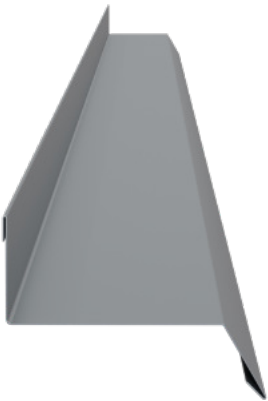


Starting strip

Cat.-No.: 013

For boards:

- PolTherma CS
- PolTherma DS
- PolTherma PS
- PolTherma TS
- ThermaStyle PRO

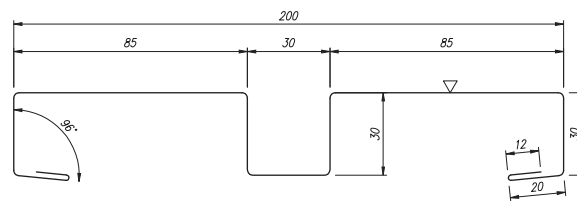
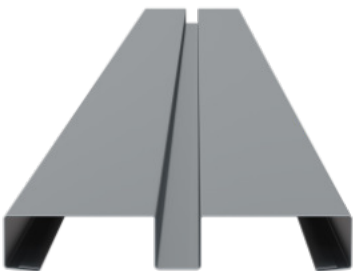


Starting strip

Cat.-No.: 013A

For boards:

- PolTherma CS
- PolTherma DS
- PolTherma PS
- PolTherma TS
- ThermaStyle PRO



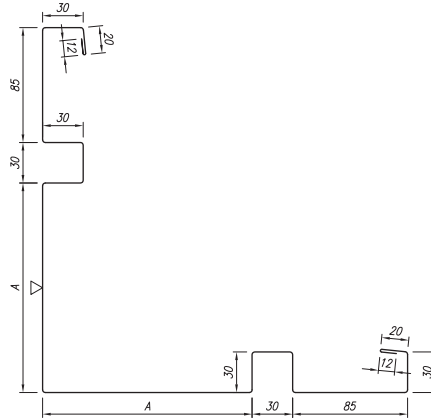
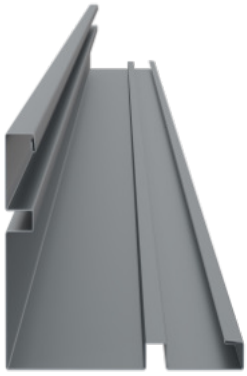
Groove contact strip

Cat.-No.: 015

For boards:

- PolTherma CS
- PolTherma DS
- PolTherma PS
- PolTherma TS
- ThermaStyle PRO

STANDARD FLASHINGS - WALL PANELS

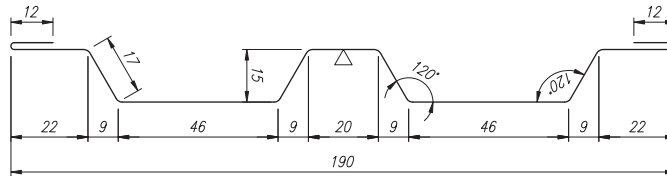
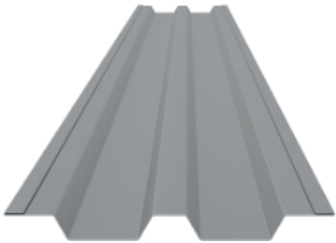


Outer groove angle

Cat.-No.: 016

For boards:

PolTherma CS
PolTherma DS
PolTherma PS
PolTherma TS
ThermaStyle PRO

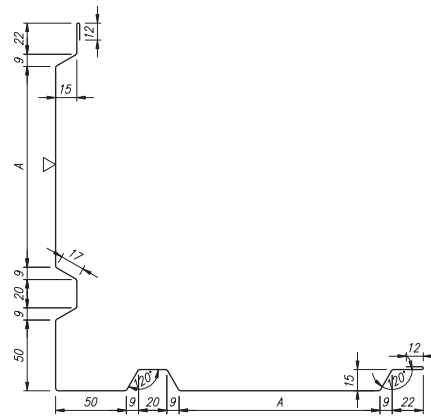
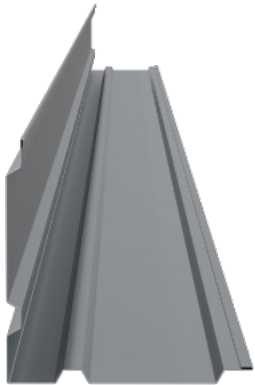


Cassette joint strip

Cat.-No.: 017

For boards:

PolTherma CS
PolTherma DS
PolTherma PS
PolTherma TS
ThermaStyle PRO

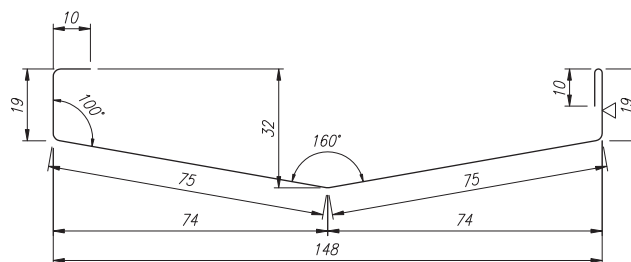
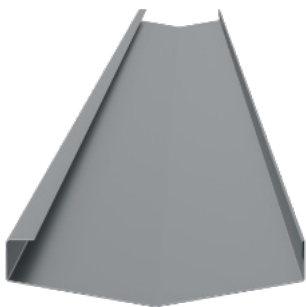


Outer cassette angle

Cat.-No.: 018

For boards:

PolTherma CS
PolTherma DS
PolTherma PS
PolTherma TS
ThermaStyle PRO



Joint strip (hidden connectors)

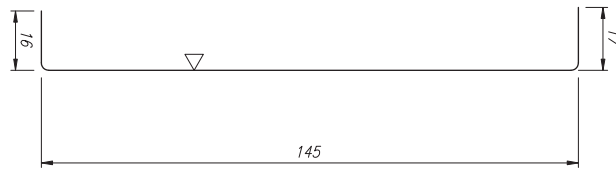
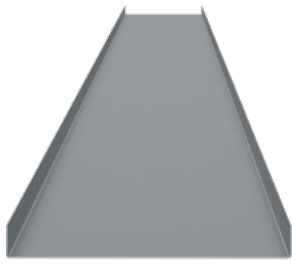
Cat.-No.: 019A

For boards:

PolTherma CS
PolTherma DS
PolTherma PS
PolTherma TS
ThermaStyle PRO

**Joint strip (hidden connectors)
mounting bracket**

Cat.-No.: 019B

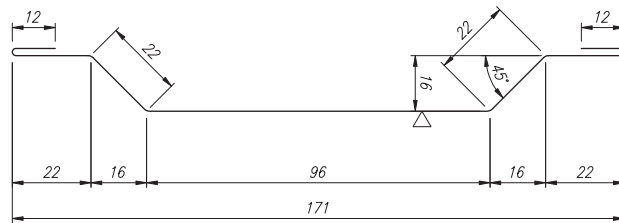
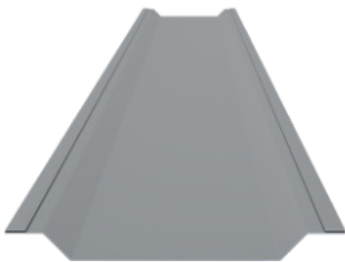


For boards:

- PolTherma CS
- PolTherma DS
- PolTherma PS
- PolTherma TS
- ThermaStyle PRO

Flat joint strip

Cat.-No.: 019

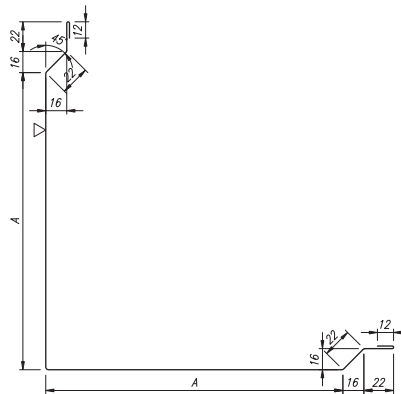
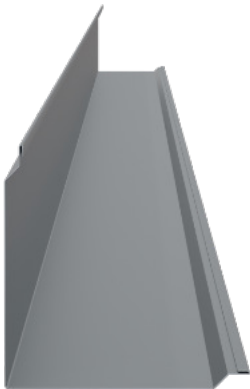


For boards:

- PolTherma CS
- PolTherma DS
- PolTherma PS
- PolTherma TS
- ThermaStyle PRO

Corner flat angle

Cat.-No.: 020

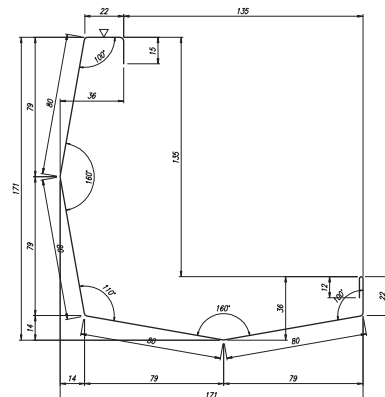


For boards:

- PolTherma CS
- PolTherma DS
- PolTherma PS
- PolTherma TS
- ThermaStyle PRO

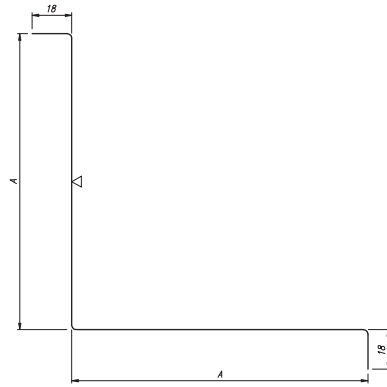
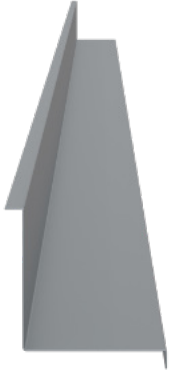
**Corner angle
(hidden fasteners)**

Cat.-No.: 020A



For boards:

- PolTherma CS
- PolTherma DS
- PolTherma PS
- PolTherma TS
- ThermaStyle PRO

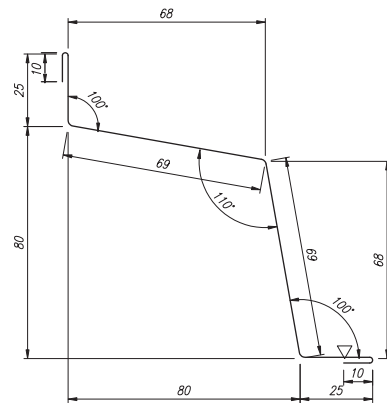
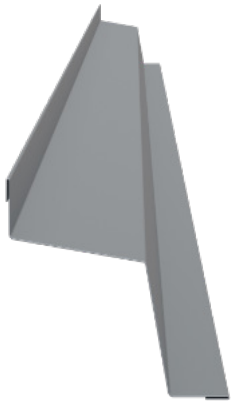


External angle (hidden fasteners) mounting bracket

Cat.-No.: 020B

For boards:

PolTherma CS
PolTherma DS
PolTherma PS
PolTherma TS
ThermaStyle PRO

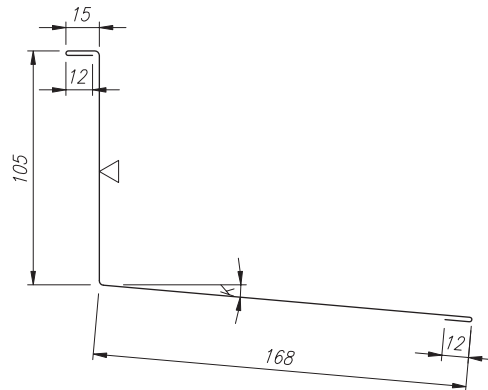
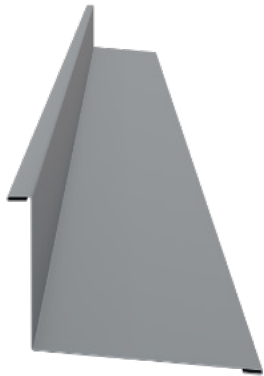


Inner plinth flashing

Cat.-No.: 022

For boards:

PolTherma CS
PolTherma DS
PolTherma PS
PolTherma TS
ThermaStyle PRO

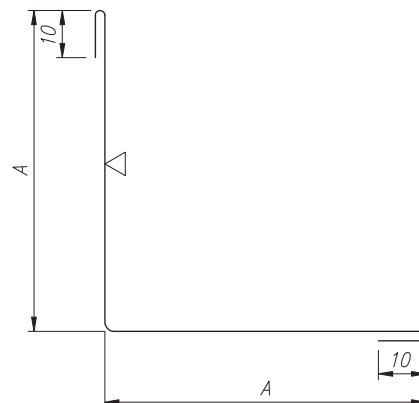


Attic strip

Cat.-No.: 032

For boards:

PolTherma CS
PolTherma DS
PolTherma PS
PolTherma TS
ThermaStyle PRO

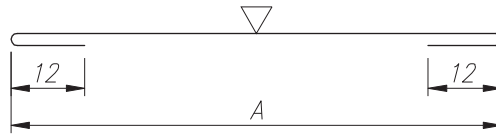
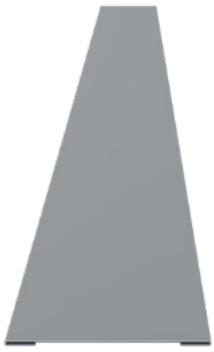


Symmetrical inner angle

Cat.-No.: 033

For boards:

PolTherma CS
PolTherma DS
PolTherma PS
PolTherma TS
ThermaStyle PRO

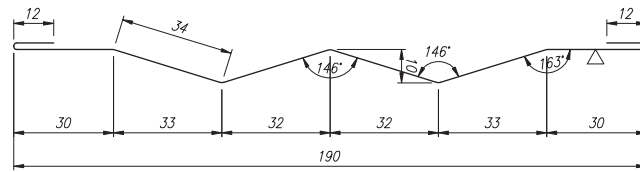
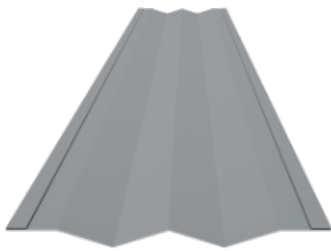


Contact strip - masking

Cat.-No.: 035

For boards:

- PolTherma CS
- PolTherma DS
- PolTherma PS
- PolTherma TS
- ThermaStyle PRO

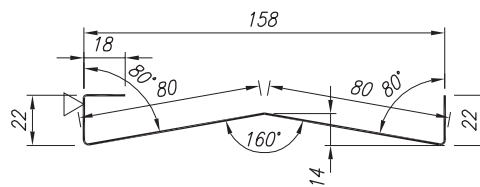


Oblique contact strip

Cat.-No.: 040

For boards:

- PolTherma CS
- PolTherma DS
- PolTherma PS
- PolTherma TS
- ThermaStyle PRO

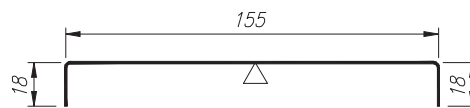


Mounting strip

Cat.-No.: 044

For boards:

- PolTherma CS
- PolTherma DS
- PolTherma PS
- PolTherma TS
- ThermaStyle PRO



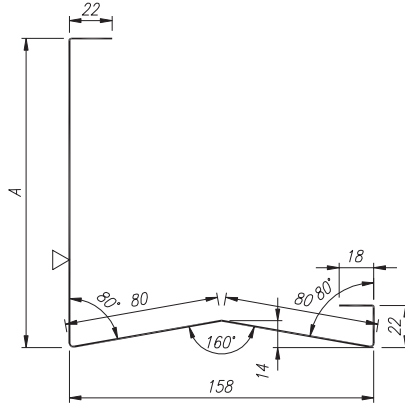
Mounting strip - base

Cat.-No.: 045

For boards:

- PolTherma CS
- PolTherma DS
- PolTherma PS
- PolTherma TS
- ThermaStyle PRO

STANDARD FLASHINGS - WALL PANELS

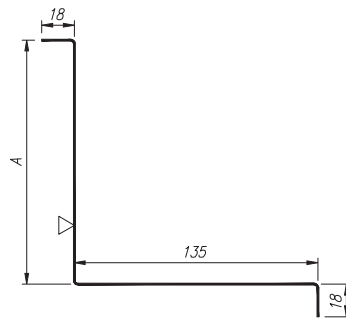
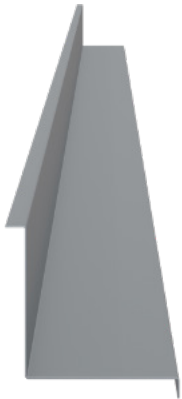


External angle

Cat.-No.: 046

For boards:

PolTherma CS
PolTherma DS
PolTherma PS
PolTherma TS
ThermaStyle PRO

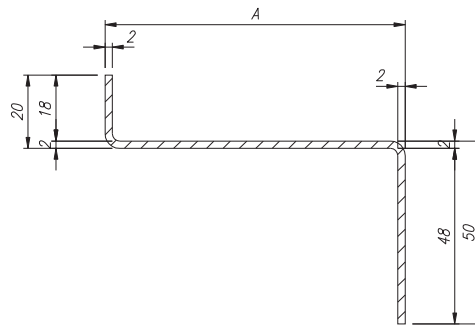


External angle (base)

Cat.-No.: 047

For boards:

PolTherma CS
PolTherma DS
PolTherma PS
PolTherma TS
ThermaStyle PRO

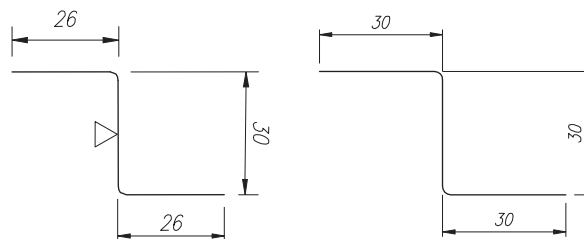


Starting strip for DS and PS panels

Cat.-No.: 048

For boards:

PolTherma DS
PolTherma PS



Z-profile 26/30/26

For flashings:

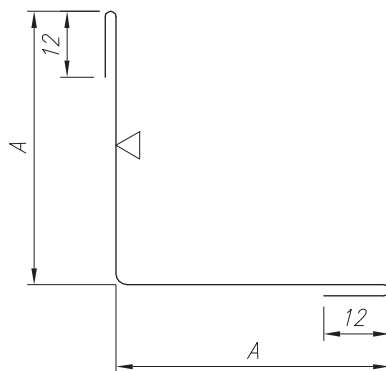
005A

Z-profile 30/30/30

For flashings:

009A

STANDARD FLASHINGS - ROOF PANELS

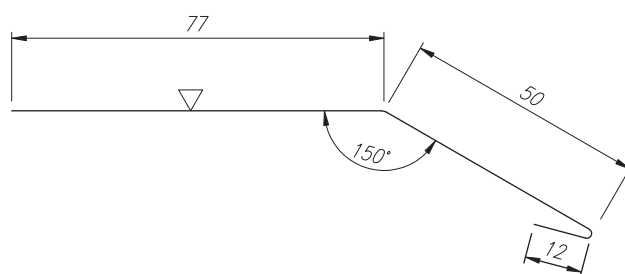


Inner angle

Cat.-No.: 001

For boards:

PolDeck BD
PolDeck TD
ThermaDeck PRO

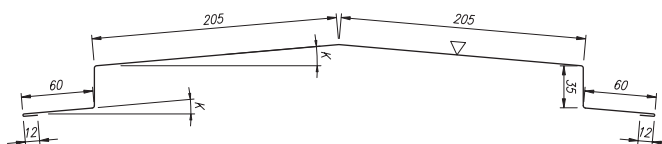
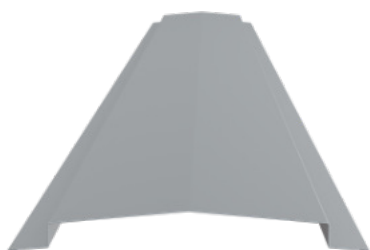


Drip cap

Cat.-No.: 003

For boards:

PolDeck BD
PolDeck TD
ThermaDeck PRO

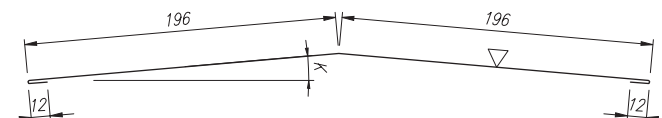


External ridge

Cat.-No.: 005

For boards:

PolDeck TD
ThermaDeck PRO



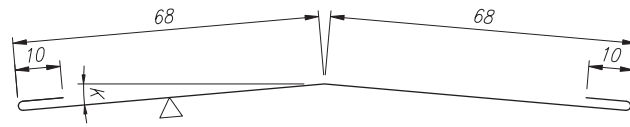
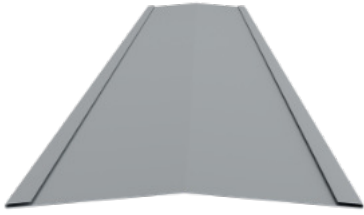
External ridge (with Z-profile)

Cat.-No.: 005A

For boards:

ThermaDeck PRO

STANDARD FLASHINGS - ROOF PANELS



Inner ridge

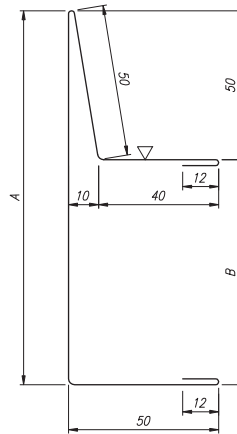
Cat.-No.: 006

For boards:

PolDeck BD

PolDeck TD

ThermaDeck PRO



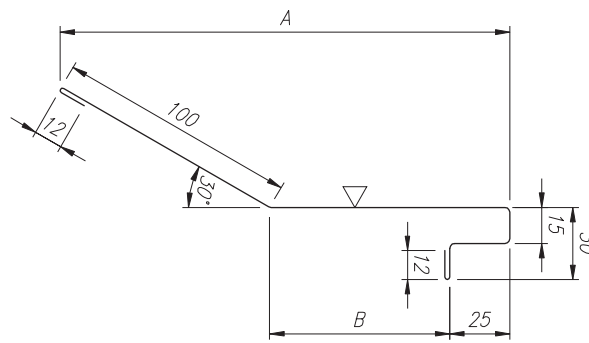
Top bracket (masking element)

Cat.-No.: 007

For boards:

PolDeck TD

ThermaDeck PRO

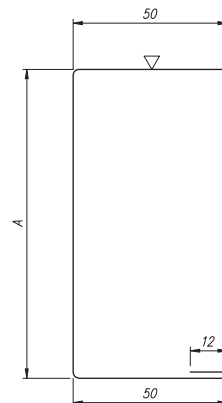


Top bracket (masking element)

Cat.-No.: 007A

For boards:

ThermaDeck PRO



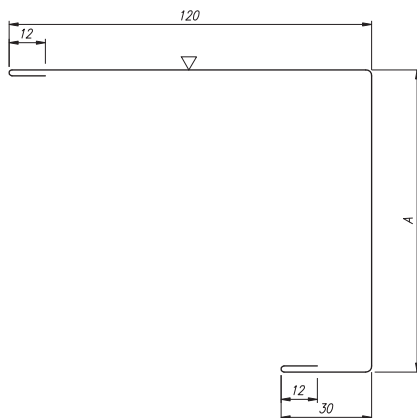
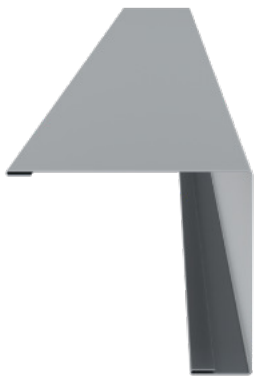
Panel closing C-profile

Cat.-No.: 009

For boards:

PolDeck TD

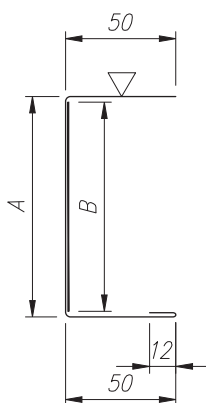
ThermaDeck PRO



Panel closing C-profile

Cat.-No.: 009A

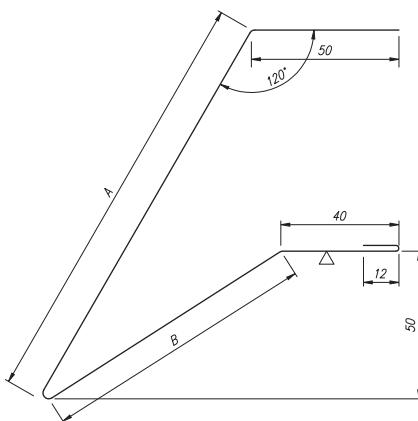
For boards:
ThermaDeck PRO



Panel closing C-profile

Cat.-No.: 009B

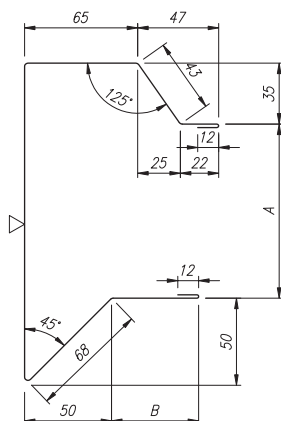
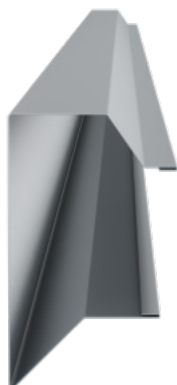
For boards:
PolDeck TD
ThermaDeck PRO



Drip cap

Cat.-No.: 011

For boards:
PolDeck TD
ThermaDeck PRO

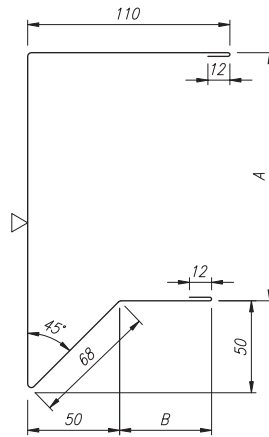


Closing strip

Cat.-No.: 024

For boards:
PolDeck TD

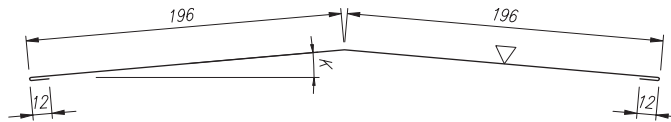
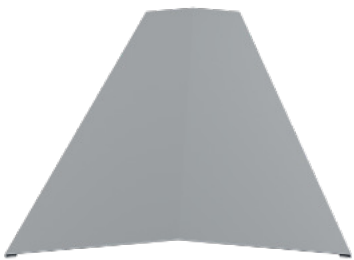
STANDARD FLASHINGS - ROOF PANELS



Closing strip

Cat.-No.: 025

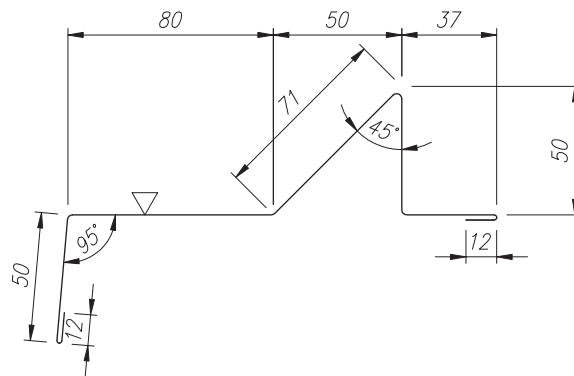
For boards:
PolDeck TD



External ridge

Cat.-No.: 027

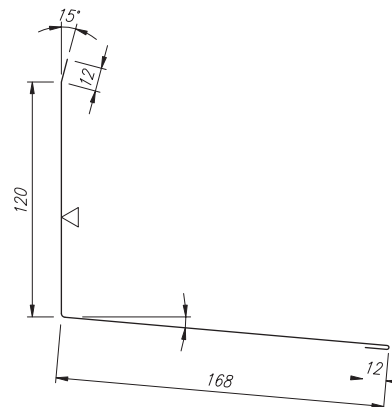
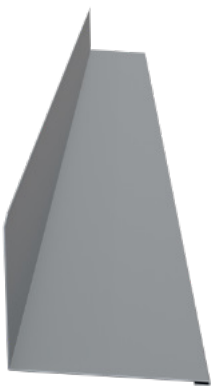
For boards:
PolDeck TD



Eave strip

Cat.-No.: 028

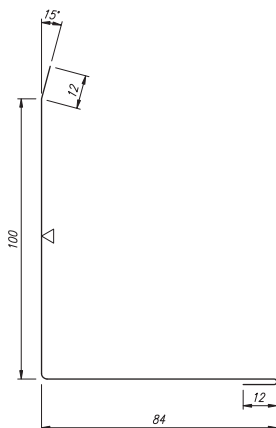
For boards:
PolDeck TD



Attic strip

Cat.-No.: 030

For boards:
PolDeck TD
ThermaDeck PRO

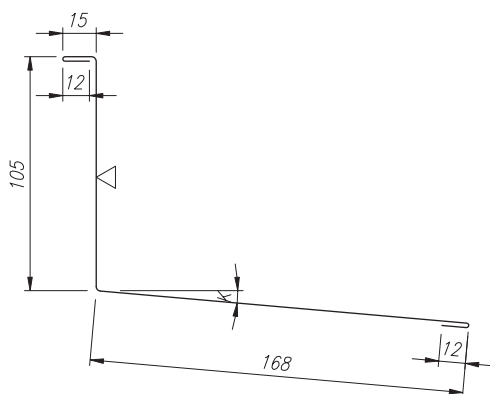
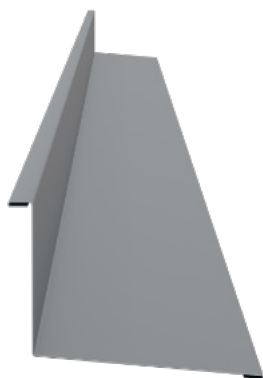


Attic strip

Cat.-No.: 031

For boards:

PolDeck TD
ThermaDeck PRO

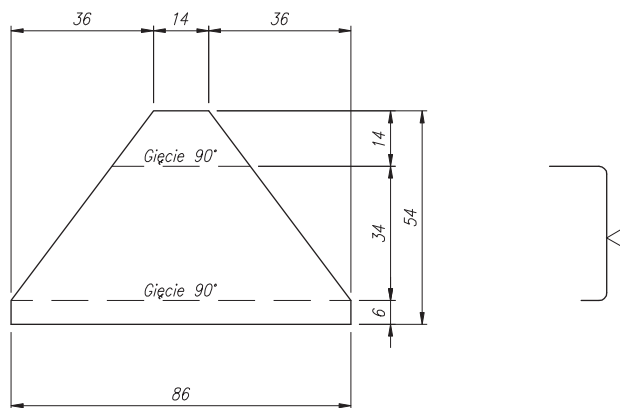


Attic strip

Cat.-No.: 032

For boards:

PolDeck TD
ThermaDeck PRO

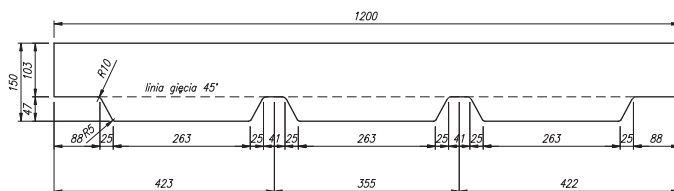


End cap

Cat.-No.: 034

For boards:

PolDeck TD

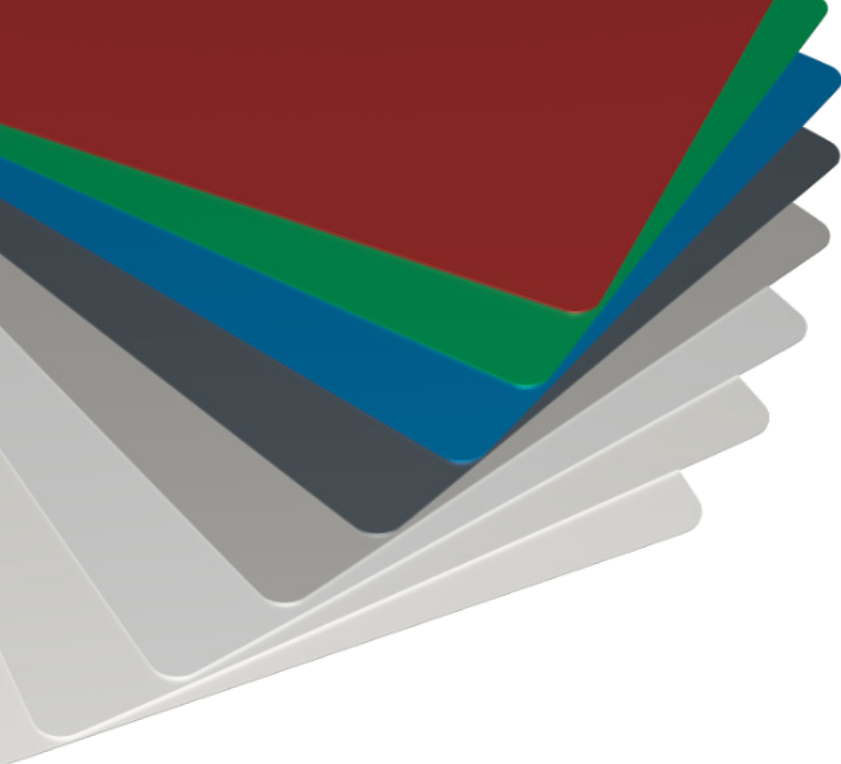


Ridge bar

Cat.-No.: 038

For boards:

PolDeck TD



COLOURS OF CLADDING

The cladding colours available in the Europanels offer have been classified, on the basis of their relative brightness specified in PN-EN 14509, into three groups. The belonging of exemplary colours to individual groups depends on the accumulation of solar energy on their surface in relation to its reflection from the surface of magnesium oxide. Due to the possibility of increased heating of the surface of the boards during periods of strong sunshine, we recommend the use of bright colors (groups I and II) for external boards, and for roofing boards in particular.

The following colours are only illustrative - actual products may vary slightly.

Available colours:

RAL 9010
white
group I (very bright)



RAL 9002
gray-white
group I (very bright)



RAL 7035
light grey
group I (very bright)



RAL 9006
silver metallic
group II (bright)



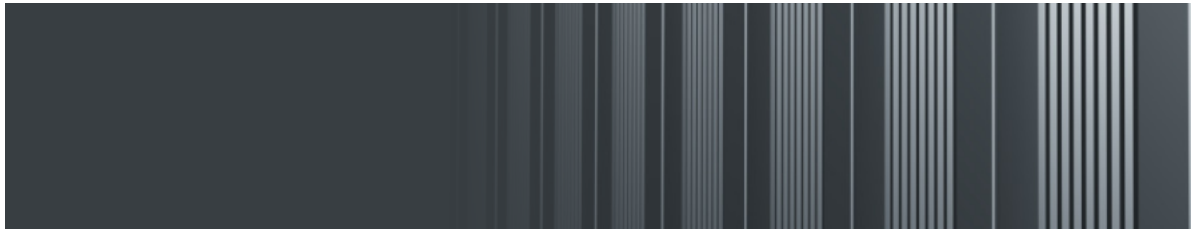
RAL 9007
grey aluminium
group III (dark)



RAL 3009
oxide red
group III (dark)



RAL 7016
anthracite grey
group III (dark)



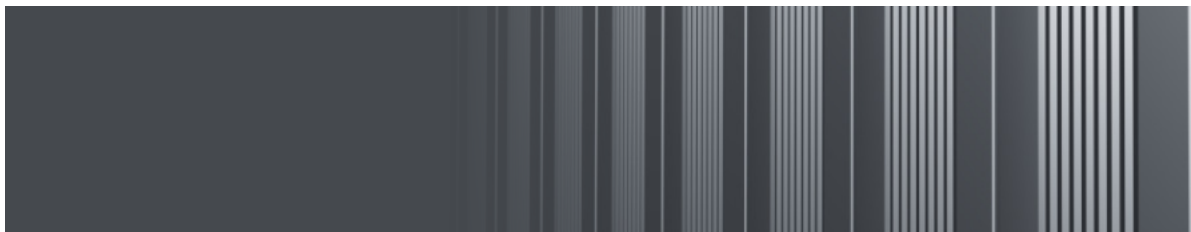
RAL 6029
mint green
group III (dark)



RAL 5010
blue
group III (dark)



RAL 7024
gray graphite
group III (dark)



RAL 8017
chocolate-brown
group III (dark)



RAL 8004
brick-red
group III (dark)



RAL 3011
red
group III (dark)



Europanel Sp. z o.o.
Inflancka 5/81, 00-189 Warszawa
NIP: 5252463541
KRS: 0000326849
REGON: 141978067



PRODUCER OF SANDWICH PANELS



PU manufacturing plant
Latkowo 35, 88-100 Inowrocław

EPS manufacturing plant
ul. Toruńska 85, 87-800 Włocławek



Contact: export@europanel.pl

Release: 11.2023

© Copyright by Europanel 2023. All rights reserved. The present folder is not to be construed as technical documentation. The presented content and drawings serve for illustrative purposes only. The installation of the boards should be carried out in accordance with the design, and the designer decides on the technical details. Europanel is not responsible for the differences between the content of the folder and the actual products. Europanel reserves the right to make changes to the offer without prior notice. The folder does not constitute an offer within the meaning of the applicable law.